

SOOSAN HYDRAULIC BREAKER
PARTS LIST



FOREWORD

This parts list is composed of all parts of SB-Series breaker.

If you want to order parts, write down the followings and contact near service center.

- a. Model Name :
- b. Model Serial No. :
- c. Parts No. and Parts Name :
- d. Quantity :
- e. Customer's Name and Address :

Please use genuine parts of SOOSAN to maintain the machine performance as a new one.

Take notice that SOOSAN won't guarantee the defects which may occur by using different parts from SOOSAN genuine parts.

☞ For the contents of this parts list, alteration is reserved without prior notice for the future improvement.

SOOSAN HEAVY INDUSTRIES CO., LTD.

CONTENTS

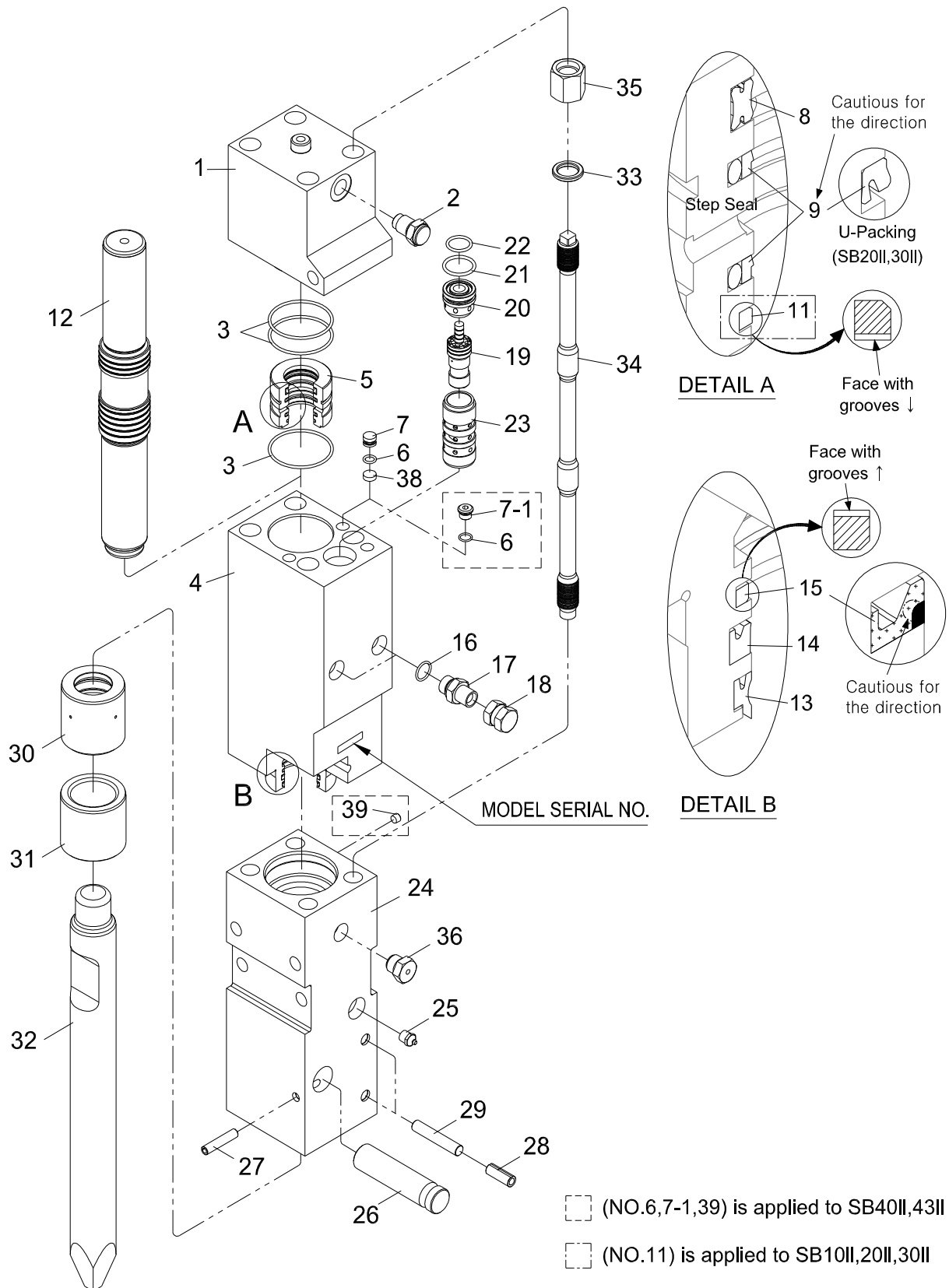
OPERATION MANUAL

PART LIST

1. Main body	4
2. Seal kit	13
3. Rod type	14
4. Side type	16
5. Backhoe type	20
6. Top type	24
6.1 Standard top type (Direct mounting)	24
6.2 Standard top type (Cap mounting)	26
6.3 TS-P type	32
7. Oil hose	40
8. Tool set(Optional)	41
9. Back head gas charging kit(Optional)	44
9.1 Back head gas charging kit 1(SB10 II ~ SB50)	44
9.2 Back head gas charging kit 2(SB60 ~ SB151)	44
10. Accumulator charging tool set(Optional)	45

1. Main Body

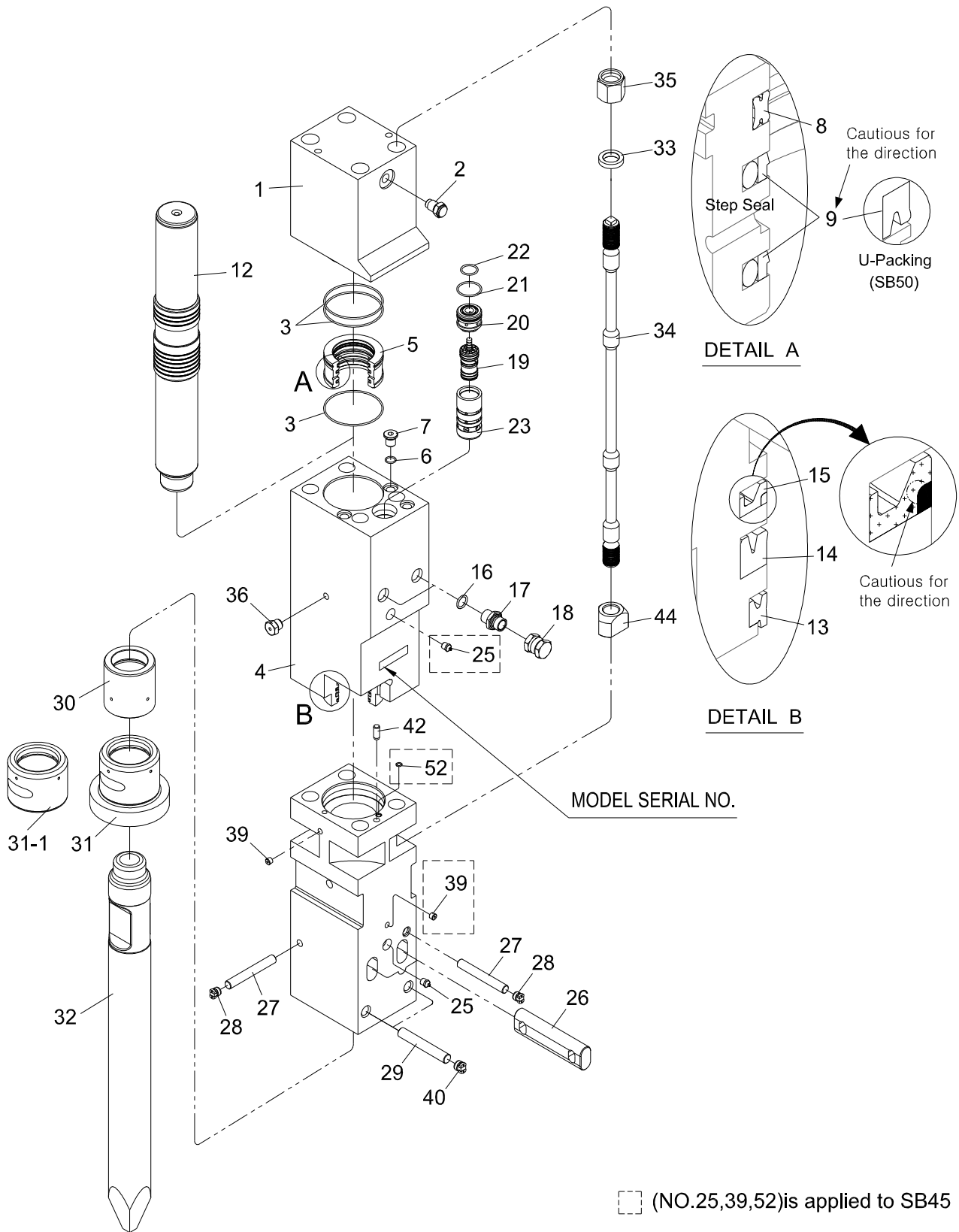
■ SB10 II, 20 II, 30 II, 35 II, 40 II, 43 II



■ MAIN BODY (SB10 II ,20 II ,30 II ,35 II ,40 II ,43 II)

NO	SB10 II		SB20 II		SB30 II		SB35 II		SB40 II		SB43 II		PARTS NAME	REMARK
	P/N	Q'ty	P/N	Q'ty	P/N	Q'ty	P/N	Q'ty	P/N	Q'ty	P/N	Q'ty		
	E81 002	1Set	F01 002	1Set	E71 002	1Set	F81 002	1Set	C01 005	1Set	F91 002	1Set	Main Body Ass'y	
1	E81 104	1	F01 108	1	E71 134	1	F81 104	1	C01 102	1	F91 104	1	Back Head	
2	C51 191	1	←	1	←	1	←	1	←	1	←	1	Charging Valve	
3	2851208	3	2851209	3	2851210	3	2851214	3	2856012	3	2851216	3	O-Ring	
4	E81 101	1	F01 101	1	E71 132	1	F81 101	1	C01 198	1	F91 101	1	Cylinder	
5	E81 109	1	F01 110	1	E71 138	1	F81 109	1	C91 125	1	F91 109	1	Seal Retainer	
6	2850010	3	←	3	←	3	2850014	3	2850016	3	←	3	O-Ring	
7	F01 129	3	←	3	←	3	F81 115	3	-	-	-	-	Plug	
7-1	-	-	-	-	-	-	-	-	C91 124	3	←	3	Socket Plug	
8	2835035	1	2835036	1	2835037	1	2835038	1	2835039	1	2835040	1	Gas Seal	
9	2811044	2	2811017	2	2811018	2	2811045	2	2811046	2	2811047	2	Step Seal	U-Packing
10	-	-	-	-	-	-	-	-	-	-	-	-	O-Ring	Not Use
11	2819063	1	2819061	1	2819059	1	-	-	-	-	-	-	Buffer Seal	
12	E81 105	1	F01 109	1	E71 102	1	F81 105	1	C01 114	1	F91 105	1	Piston	
13	2831057	1	2831058	1	2831013	1	2831063	1	2831022	1	2831017	1	Dust Seal	
14	2811055	1	2811056	1	2811010	1	2811060	1	2811031	1	2811009	1	U-Packing	
15	2819062	1	2819060	1	2819058	1	2833011	1	2819056	1	2833012	1	Buffer Seal	
16	2851018	2	←	2	←	2	←	2	←	2	←	2	O-Ring	
17	C91 120	2	←	2	←	2	←	2	←	2	←	2	Adapter	
18	2715002	2	←	2	←	2	←	2	←	2	←	2	Union Cap	
19	F01 104	1	←	1	E71 105	1	←	1	C01 127	1	F91 106	1	Valve	
20	F01 106	1	←	1	E71 140	1	←	1	C01 188	1	F91 108	1	Valve Plug	
21	2851030	1	←	1	2851033	1	←	1	2851040	1	2851204	1	O-Ring	
22	2851201	1	←	1	←	1	←	1	←	1	←	1	O-Ring	
23	F01 105	1	←	1	E71 139	1	←	1	C01 193	1	F91 107	1	Valve Sleeve	
24	E81 136	1	F01 152	1	E71 156	1	F81 132	1	C01 216	1	F91 142	1	Front Head	
25	2700411	1	←	1	←	1	←	1	←	1	←	1	Grease Nipple	
26	E81 139	1	F01 155	1	E71 158	1	F81 134	1	C01 219	1	F91 143	1	Rod Pin	
27	4300132	1	←	1	←	1	4300150	1	C91 151	1	←	1	Spring Pin	
28	4300141	2	4300143	2	←	2	←	2	C91 110	2	←	2	Spring Pin	
29	E81 140	2	F81 135	2	←	2	←	2	C01 131	2	F91 121	2	Stop Pin	
30	E81 138	1	F01 153	1	E71 157	1	F81 133	1	C01 217	1	F91 110	1	Ring Bush	
31	E81 137	1	F01 154	1	E71 159	1	F81 111	1	C01 218	1	F91 111	1	Thrust Bush	
32	E81 141	1	F01 156	1	E71 160	1	F81 136	1	C01 220	1	F91 144	1	Rod(Moil Point)	
33	E81 120	4	F01 115	4	E71 116	4	←	4	C01 144	4	F91 114	4	Washer	
34	E81 118	4	F01 114	4	E71 114	4	F81 112	4	C01 145	4	F91 112	4	Through Bolt	
35	E81 119	4	F01 116	4	E71 115	4	←	4	C01 143	4	F91 113	4	Hex Nut	
36	C01 162	1	←	1	←	1	←	1	←	1	←	1	Air Check Valve	
37	-	-	-	-	-	-	-	-	-	-	-	-	O-Ring	Not Use
38	F01 128	3	←	3	←	3	F81 114	3	-	-	-	-	Cover Plate	
39	-	-	-	-	-	-	-	-	2702221	1	←	1	Hollow Hex Plug	
40	-	-	-	-	-	-	-	-	-	-	-	-	-	Not Use
41	-	-	-	-	-	-	-	-	-	-	-	-	Heli Sert Coil	Not Use
42	-	-	-	-	-	-	-	-	-	-	-	-	Hex Head Plug	Not Use

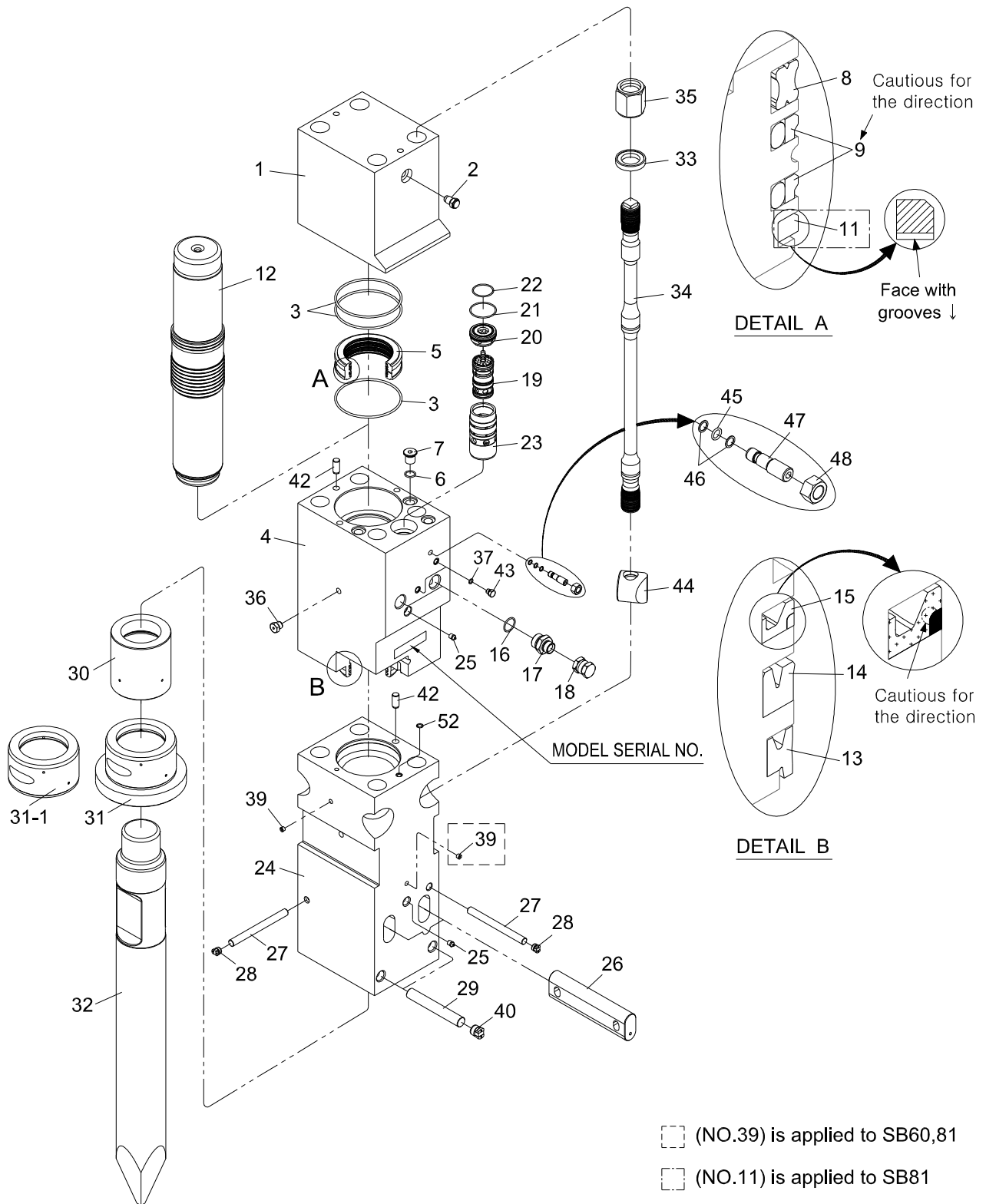
■ SB45,50



■ MAIN BODY (SB45,50)

NO	SB45		SB50		PARTS NAME	REMARK
	P/N	Q'ty	P/N	Q'ty		
1	D41 001	1Set	C11 003	1Set	Main Body Ass'y	
2	D41 110	1	C11 112	1	Back Head	
3	C51 191	1	←	1	Charging Valve	
4	2851219	3	2851223	3	O-Ring	
5	D41 106	1	C11 192	1	Cylinder	
6	D41 108	1	C11 119	1	Seal Retainer	
7	2850017	3	2850020	3	O-Ring	
8	D41 109	3	C11 120	3	Socket Plug	
9	2835041	1	2835042	1	Gas Seal	
10	2811048	2	2811067	2	Step Seal	U-Packing
11	-	-	-	-	O-Ring	Not Use
12	-	-	-	-	Buffer Seal	Not Use
13	D41 107	1	C11 194	1	Piston	
14	2831068	1	2831023	1	Dust Seal	
15	2811064	1	2811032	1	U-Packing	
16	2833001	1	2833015	1	Buffer Seal	
17	2851022	2	←	2	O-Ring	
18	2710311	2	←	2	Adapter	
19	2715003	2	←	2	Union Cap	
20	D41 113	1	C11 123	1	Valve	
21	D41 111	1	C11 184	1	Valve Plug	
22	2851205	1	2851051	1	O-Ring	
23	2851202	1	2851203	1	O-Ring	
24	D41 112	1	C11 183	1	Valve Sleeve	
25	D41 148	1	C11 193	1	Front Head	
26	2700411	2	←	1	Grease Nipple	
27	D41 147	2	C11 186	2	Rod Pin	
28	D41 119	2	C11 131	2	Stop Pin	
29	D81 151	2	←	2	Rubber Plug	
30	D41 118	2	C11 128	2	Front Head Pin	
31	D41 141	1	C11 182	1	Ring Bush	
32	D41 102	1	C11 127	1	Front Cover	
33	D41 142	1	C11 181	1	Front Cover	Silence
34	D41 101	1	C11 195	1	Rod(Moil Point)	
35	D41 115	4	C11 141	4	Washer	
36	D41 160	4	C11 220	4	Through Bolt	
37	D41 161	4	C11 221	4	Hex Nut	
38	C01 162	1	←	1	Air Check Valve	
39	-	-	-	-	O-Ring	Not Use
40	-	-	-	-	O-Ring	Not Use
41	2702221	2	←	1	Hollow Hex Plug	
42	C31 246	2	D81 150	2	Rubber Plug	
43	-	-	-	-	Snap Ring	Not Use
44	U81 278	1	←	1	Knock Pin	
45	-	-	-	-	Hex Head Plug	Not Use
46	D41 162	4	C11 222	4	Round Nut	
47	-	-	-	-	O-Ring	Not Use
48	-	-	-	-	Back-Up Ring	Not Use
49	-	-	-	-	Valve Adjuster	Not Use
50	-	-	-	-	Nut	Not Use
51	-	-	-	-	Socket Plug	Not Use
52	-	-	-	-	Square Ring	Not Use
53	-	-	-	-	Socket Plug	Not Use
54	2850007	1	-	-	O-Ring	

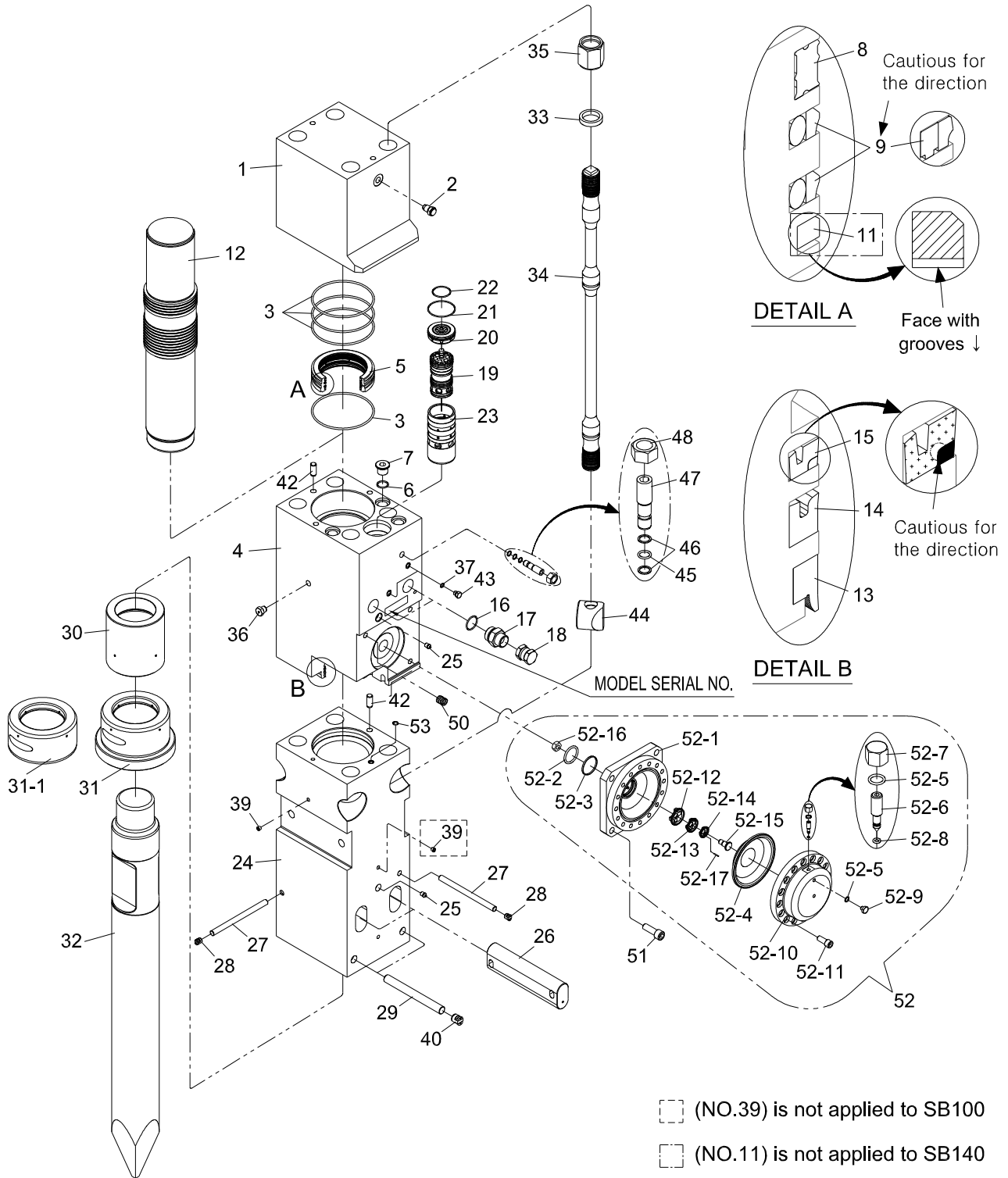
■ SB60,70,81



■ MAIN BODY (SB60,70,81)

NO	SB60		SB70		SB81		PARTS NAME	REMARK
	P/N	Q'ty	P/N	Q'ty	P/N	Q'ty		
1	C21 002	1Set	L01 004	1Set	C31 007	1Set	Main Body Ass'y	
2	C21 101	1	L01 104	1	C31 101	1	Back Head	
3	C51 191	1	←	1	←	1	Charging Valve	
4	2851226	3	2851229	3	2851232	3	O-Ring	
5	C21 102	1	L01 141	1	C31 207	1	Cylinder	
6	C21 104	1	L01 109	1	C31 111	1	Seal Retainer	
7	2850021	3	←	3	2850024	3	O-Ring	
8	C21 106	3	←	3	C31 123	3	Socket Plug	
9	2835043	1	2835034	1	2835044	1	Gas Seal	
10	2811049	2	2811066	2	2811076	2	Step Seal	
11	-	-	-	-	-	-	O-Ring	Not Use
12	-	-	-	-	2819051	1	Buffer Seal	
13	C21 172	1	L01 146	1	C31 255	1	Piston	
14	2831073	1	2831018	1	2831103	1	Dust Seal	
15	2811007	1	2811014	1	2811071	1	U-Packing	
16	2833019	1	2833013	1	2833003	1	Buffer Seal	
17	2851028	2	←	2	2851038	2	O-Ring	
18	2710315	2	←	2	C31 193	2	Adapter	
19	2715004	2	←	2	←	2	Union Cap	
20	C21 108	1	L01 106	1	C31 171	1	Valve	
21	C21 107	1	L01 108	1	C31 172	1	Valve Plug	
22	2851208	1	2851209	1	2851210	1	O-Ring	
23	2851205	1	2851206	1	2851207	1	O-Ring	
24	C21 109	1	L01 107	1	C31 173	1	Valve Sleeve	
25	C21 174	1	L01 147	1	C31 256	1	Front Head	
26	2700411	2	←	2	←	2	Grease Nipple	
27	C21 153	2	L01 116	2	C31 226	2	Rod Pin	
28	C21 115	2	←	2	C31 127	2	Stop Pin	
29	D81 151	2	←	2	C31 246	2	Rubber Plug	
30	C21 113	2	E91 120	2	C31 126	2	Front Head Pin	
31	C21 151	1	L01 110	1	C31 225	1	Ring Bush	
32	C21 112	1	L01 111	1	C31 125	1	Front Cover	
33	C21 146	1	L01 123	1	C31 185	1	Front Cover	Silence
34	C21 114	1	L01 118	1	C31 211	1	Rod(Moil Point)	
35	C21 118	4	L01 115	4	C31 140	4	Washer	
36	C21 189	4	L01 168	4	C31 271	4	Through Bolt	
37	C21 190	4	L01 169	4	C31 272	4	Hex Nut	
38	C01 162	1	←	1	←	1	Air Check Valve	
39	2851010	2	←	3	←	3	O-Ring	
40	-	-	-	-	-	-	O-Ring	Not Use
41	2702221	2	←	1	←	2	Hollow Hex Plug	
42	D81 150	2	←	2	C31 247	2	Rubber Plug	
43	-	-	-	-	-	-	Snap Ring	Not Use
44	C21 173	2	←	2	←	2	Knock Pin	
45	Q11 191	2	←	2	←	2	Hex Head Plug	
46	C21 175	4	L01 148	4	C31 257	4	Round Nut	
47	2851007	1	(=NO. 37)	(1)	(←)	(1)	O-Ring	
48	2841218	2	2841217	2	←	2	Back-Up Ring	
49	C21 149	1	C31 210	1	←	1	Valve Adjuster	
50	4101305	1	4101306	1	←	1	Nut	
51	-	-	-	-	-	-	Socket Plug	Not Use
52	-	-	-	-	-	-	Square Ring	Not Use
53	-	-	-	-	-	-	Socket Plug	Not Use
54	2851014	1	←	1	←	1	O-Ring	

■ SB81A,100,121,130,140,151



■ MAIN BODY (SB81A,100,121,130,140,151)

NO	SB81A		SB100		SB121		SB130		SB140		SB151		PARTS NAME	REMARK
	P/N	Q'ty	P/N	Q'ty	P/N	Q'ty	P/N	Q'ty	P/N	Q'ty	P/N	Q'ty		
1	C31 008	1Set	E91 002	1Set	C61 006	1Set	D81 005	1Set	L21 002	1Set	C71 002	1Set	Main Body Ass'y	
2	C31 101	1	E91 105	1	C61 121	1	D81 109	1	L21 104	1	C71 104	1	Back Head	
3	C51 191	1	←	1	←	1	←	1	←	1	←	1	Charging Valve	
4	2851232	3	2851234	3	2851235	4	2851237	3	←	3	←	4	O-Ring	
5	C31 216	1	E91 101	1	C61 225	1	D81 101	1	L21 101	1	C71 153	1	Cylinder	
6	C31 111	1	E91 110	1	C61 131	1	D81 110	1	L21 109	1	C71 109	1	Seal Retainer	
7	2850024	3	←	3	2850033	3	←	3	←	3	2850035	3	O-Ring	
8	C31 123	3	←	3	C61 146	3	←	3	←	3	C71 121	3	Socket Plug	
9	2835044	1	2835045	1	2835046	1	2835047	1	2835050	1	2835048	1	Gas Seal	
10	2811076	2	2811077	2	2811078	2	2811040	2	2811079	2	2811080	2	Step Seal	
11	-	-	-	-	-	-	-	-	-	-	-	-	O-Ring	Not Use
12	2819051	1	2819052	1	2819053	1	2819054	1	-	-	2819055	1	Buffer Seal	
13	C31 255	1	E91 136	1	C61 277	1	D81 174	1	L21 119	1	C71 199	1	Piston	
14	2831103	1	2831016	1	2831074	1	2831032	1	2831906	1	2831025	1	Dust Seal	
15	2811071	1	2811012	1	2811072	1	2811039	1	2811043	1	2811033	1	U-Packing	
16	2833003	1	2833010	1	2833004	1	2833020	1	2833021	1	2833017	1	Buffer Seal	
17	2851038	2	←	2	2851043	2	←	2	←	2	←	2	O-Ring	
18	C31 193	2	←	2	2710319	2	←	2	←	2	←	2	Adapter	
19	2715004	2	←	2	2715005	2	←	2	←	2	←	2	Union Cap	
20	C31 171	1	E91 107	1	C61 112	1	D81 111	1	L21 106	1	C71 202	1	Valve	
21	C31 172	1	E91 109	1	C61 110	1	D81 112	1	L21 108	1	C71 204	1	Valve Plug	
22	2851210	1	←	1	2851213	1	2851212	1	2851215	1	2851216	1	O-Ring	
23	2851207	1	←	1	←	1	←	1	2851209	1	2851212	1	O-Ring	
24	C31 173	1	E91 108	1	C61 111	1	D81 113	1	L21 107	1	C71 203	1	Valve Sleeve	
25	C31 256	1	E91 137	1	C61 278	1	D81 177	1	L21 111	1	C71 200	1	Front Head	
26	2700411	2	←	2	←	2	←	2	←	2	←	2	Grease Nipple	
27	C31 226	2	E91 119	2	C61 252	2	←	2	L21 116	2	C71 177	2	Rod Pin	
28	C31 127	2	E91 121	2	C61 169	2	←	2	←	2	C71 140	2	Stop Pin	
29	C31 246	2	D81 151	2	←	2	←	2	←	2	D81 150	2	Rubber Plug	
30	C31 126	2	E91 120	2	C61 168	2	←	2	←	2	C71 120	2	Front Head Pin	
31	C31 225	1	E91 111	1	C61 241	1	D81 124	1	←	1	C71 167	1	Ring Bush	
32	C31 125	1	E91 112	1	C61 167	1	D81 107	1	←	1	C71 108	1	Front Cover	
33	C31 185	1	E91 122	1	C61 213	1	D81 125	1	←	1	C71 169	1	Front Cover	Silence
34	C31 211	1	E91 113	1	C61 227	1	D81 115	1	←	1	C71 157	1	Rod(Moil Point)	
35	C31 140	4	C61 188	4	←	4	←	4	C71 128	4	←	4	Washer	
36	C31 271	4	E91 152	4	C61 294	4	D81 201	4	L21 125	4	C71 220	4	Through Bolt	
37	C31 272	4	E91 153	4	C61 295	4	←	4	L21 126	4	←	4	Hex Nut	
38	C01 162	1	←	1	←	1	←	1	←	1	←	1	Air Check Valve	
39	2851010	3	←	3	←	2	←	2	←	2	←	2	O-Ring	
40	-	-	-	-	-	-	-	-	-	-	-	-	O-Ring	Not Use
41	2702221	2	←	1	←	2	←	2	←	2	←	2	Hollow Hex Plug	
42	C31 247	2	D81 150	2	←	2	←	2	←	2	C71 194	2	Rubber Plug	
43	-	-	-	-	-	-	-	-	-	-	-	-	Snap Ring	Not Use
44	C21 173	2	←	2	←	2	←	2	←	2	←	2	Knock Pin	
45	Q11 191	2	←	2	←	2	←	2	←	2	←	2	Hex Head Plug	
46	C31 257	4	E91 138	4	←	4	←	4	C71 201	4	←	4	Round Nut	
47	★ (=NO. 37)	(1)	(←)	(1)	2851014	2	←	2	2851015	1	←	1	O-Ring	

■ MAIN BODY (SB81A,100,121,130,140,151)

NO	SB81A		SB100		SB121		SB130		SB140		SB151		PARTS NAME	REMARK
	P/N	Q'ty	P/N	Q'ty	P/N	Q'ty	P/N	Q'ty	P/N	Q'ty	P/N	Q'ty		
	C31 008	1Set	E91 002	1Set	C61 006	1Set	D81 005	1Set	L21 002	1Set	C71 002	1Set	Main Body Ass'y	
46	2841217	2	←	2	2841202	2	←	2	2841216	2	←	2	Back-Up Ring	
47	C31 210	1	←	1	C61 233	1	←	1	C71 162	1	←	1	Valve Adjuster	
48	4101306	1	←	1	4101308	1	←	1	4101309	1	←	1	Nut	
49	-	-	-	-	-	-	-	-	-	-	-	-	Socket Plug	Not Use
50	4130039	4	←	4	4133025	4	←	4	←	4	4130041	4	Heli Sert Coil	
51	4011147	4	←	4	4011149	4	←	4	←	4	4011186	4	Socket Bolt	
52	C81 188		←	1	C61 137	1	C61 137	1	C61 137	1	C71 110	1	Accumulator	
-1	C31 155	1	←	1	C61 138	1	←	1	←	1	C71 111	1	Accumulator Body	
-2	2851051	1	←	1	←	1	←	1	←	1	2851212	1	O-Ring	
-3	2844901	1	←	1	←	1	←	1	←	1	2844003	1	Back-Up Ring	
-4	U81 253	1	←	1	C61 139	1	←	1	←	1	C71 113	1	Diaphragm	
-5	2850014	2	←	2	←	2	←	2	←	2	←	2	O-Ring	
-6	U81 266	1	←	1	←	1	←	1	←	1	←	1	Charging V/V	
-7	U81 275	1	←	1	←	1	←	1	←	1	←	1	O-Ring Cap	
-8	2850003	1	←	1	←	1	←	1	←	1	←	1	O-Ring	
-9	U81 276	1	←	1	←	1	←	1	←	1	←	1	O-Ring Plug	
-10	C31 154	1	←	1	C61 140	1	←	1	←	1	C71 112	1	Accumulator Cover	
-11	4011366	12	←	12	4011108	16	←	16	←	16	4011147	16	Socket Bolt	
-12	C61 141	1	←	1	←	1	←	1	←	1	C71 115	1	Holder (A)	
-13	C61 142	1	←	1	←	1	←	1	←	1	C71 116	1	Holder (B)	
-14	C61 143	1	←	1	←	1	←	1	←	1	C71 117	1	Holder (C)	
-15	C61 144	1	←	1	←	1	←	1	←	1	C71 118	1	Holder Pin	
-16	U81 338	1	←	1	←	1	←	1	←	1	←	1	Holder Nut	
-17	C61 145	1	←	1	←	1	←	1	←	1	C71 114	1	Center Pin	
53 ★	2851014	1	←	1	(←)	(1)	(←)	(1)	←	1	←	1	O-Ring	

2. Seal kit

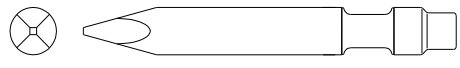
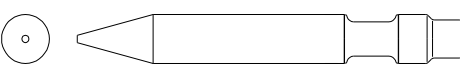

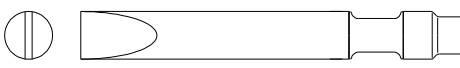
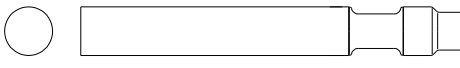
■ SEAL KIT (SB10 II ~ SB50)

NO	PARTS NAME	SB10 II		SB20 II		SB30 II		SB35 II		SB40 II		SB43 II		SB45		SB50		REMARK
		P/N	Q'ty	P/N	Q'ty	P/N	Q'ty	P/N	Q'ty	P/N	Q'ty	P/N	Q'ty	P/N	Q'ty	P/N	Q'ty	
	Seal Kit	E81 012	1	F01 012	1	E71 012	1	F81 012	1	CO1 012	1	F91 012	1	D41 011	1	C11 012	1	SET
3	O-Ring	2851208	3	2851209	3	2851210	3	2851214	3	2856012	3	2851216	3	2851219	3	2851223	3	
6	O-Ring	2850010	3	←	3	←	3	2850014	3	2850016	3	←	3	2850017	3	2850020	4	
8	Gas Seal	2835035	1	2835036	1	2835037	1	2835038	1	2835039	1	2835040	1	2835041	1	2835042	1	
9	Step Seal U-Packing	2811044	2	2811017	2	2811018	2	2811045	2	2811046	2	2811047	2	2811048	2	2811067	2	
11	Buffer Seal	2819063	1	2819061	1	2819059	1	-	-	-	-	-	-	-	-	-	-	
13	Dust Seal	2831057	1	2831058	1	2831013	1	2831063	1	2831022	1	2831017	1	2831068	1	2831023	1	
14	U-Packing	2811055	1	2811056	1	2811010	1	2811060	1	2811031	1	2811009	1	2811064	1	2811032	1	
15	Buffer Seal	2819062	1	2819060	1	2819058	1	2833011	1	2819056	1	2833012	1	2833001	1	2833015	1	
16	O-Ring	2851018	2	←	2	←	2	←	2	←	2	←	2	2851022	2	←	2	
21	O-Ring	2851030	1	←	1	2851033	1	←	1	2851040	1	2851204	1	2851205	1	2851051	1	
22	O-Ring	2851201	1	←	1	←	1	←	1	←	1	←	1	2851202	1	2851203	1	
52	O-Ring	-	-	-	-	-	-	-	-	-	-	-	-	2850007	1	-	-	

■ SEAL KIT (SB60 ~ SB151) – For Steel Seal-Retainer

NO	PARTS NAME	SB60		SB70		SB81		SB81A		SB100		SB121		SB130		SB140		SB151	
		P/N	Q'ty	P/N	Q'ty	P/N	Q'ty	P/N	Q'ty	P/N	Q'ty	P/N	Q'ty	P/N	Q'ty	P/N	Q'ty	P/N	Q'ty
	Seal Kit	C21 011	1	L01 011	1	C31 012	1	C31 013	1	E91 011	1	C61 011	1	D81 014	1	L21 011	1	C71 010	1
3	O-Ring	2851226	3	2851229	3	2851232	3	←	3	2851234	3	2851235	4	2851237	3	←	3	←	4
6	O-Ring	2850021	3	←	3	2850024	3	←	3	←	3	2850033	3	←	3	←	3	2850035	3
8	Gas Seal	2835043	1	2835034	1	2835044	1	←	1	2835045	1	2835046	1	2835047	1	2835050	1	2835048	1
9	Step Seal	2811049	2	2811066	2	2811076	2	←	2	2811077	2	2811078	2	2811040	2	2811079	2	2811080	2
11	Buffer Seal	-	-	-	-	2819051	1	←	1	2819052	1	2819053	1	2819054	1	-	-	2819055	1
13	Dust Seal	2831073	1	2831018	1	2831103	1	←	1	2831016	1	2831074	1	2831032	1	2831906	1	2831025	1
14	U-Packing	2811007	1	2811014	1	2811071	1	←	1	2811012	1	2811072	1	2811039	1	2811043	1	2811033	1
15	Buffer Seal	2833019	1	2833013	1	2833003	1	←	1	2833010	1	2833004	1	2833020	1	2833021	1	2833017	1
16	O-Ring	2851028	2	←	2	2851038	2	←	2	←	2	2851043	2	←	2	←	2	←	2
21	O-Ring	2851208	1	2851209	1	2851210	1	←	1	←	1	2851213	1	2851212	1	2851215	1	2851216	1
22	O-Ring	2851205	1	2851206	1	2851207	1	←	1	←	1	←	1	←	1	2851209	1	2851212	1
37	O-Ring	2851010	2	←	3	←	3	←	3	←	3	←	2	←	2	←	2	←	2
45	O-Ring	2851007	1	(=NO. 37)	(1)	(←)	(1)	(←)	(1)	(←)	(1)	2851014	2	←	2	2851015	1	←	1
46	Back-Up Ring	2841218	2	2841217	2	←	2	←	2	←	2	2841202	2	←	2	2841216	2	←	2
52	O-Ring	2851014	1	←	1	←	1	-	-	-	-	-	-	-	-	-	-	-	-
52-2	O-Ring	-	-	-	-	-	-	2851051	1	←	1	←	1	←	1	←	1	2851212	1
52-3	Back-Up Ring	-	-	-	-	-	-	2844901	1	←	1	←	1	←	1	←	1	2844003	1
52-5	O-Ring	-	-	-	-	-	-	2850014	2	←	2	←	2	←	2	←	2	←	2
52-8	O-Ring	-	-	-	-	-	-	2850003	1	←	1	←	1	←	1	←	1	←	1
53	O-Ring	-	-	-	-	-	-	2851014	1	←	1	(←)	(1)	(←)	(1)	←	1	←	1

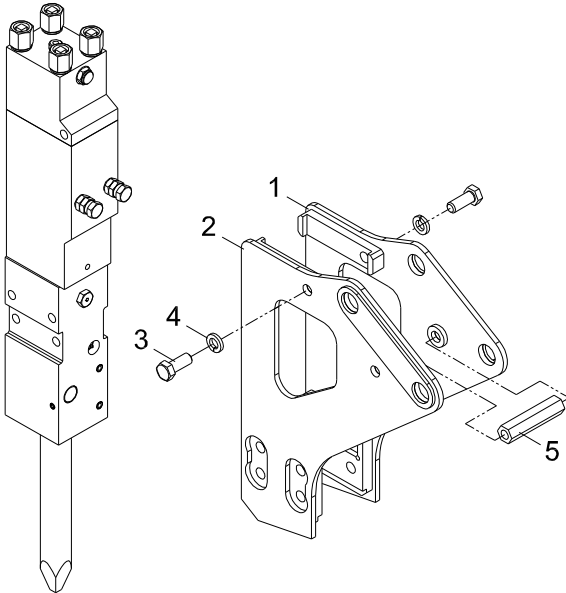
3. Rod type

PARTS NAME	SHAPE
MOIL POINT TYPE	
UNIVERSAL TYPE	
V-WEDGE TYPE	
H-WEDGE TYPE	
FLAT TYPE	

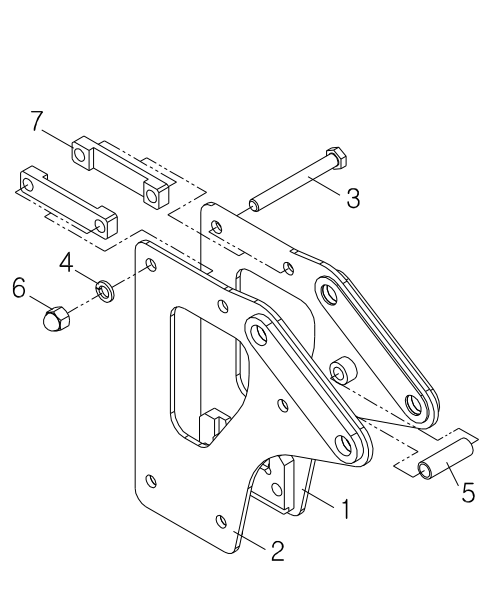
MODEL	TYPE	SIZE	PARTS No.				
			MOIL	UNIVERSAL	V-WEDGE	H-WEDGE	FLAT
SB10 II	LONG	D40 x L450	E81 141	E81 142	E81 143	E81 144	E81 145
	SHORT	D40 x L400	E81 146	E81 147	E81 148	E81 149	E81 150
SB20 II	LONG	D45 x L500	F01 156	F01 157	F01 158	F01 159	F01 160
	SHORT	D45 x L450	F01 161	F01 162	F01 163	F01 164	F01 165
SB30 II	LONG	D53 x L550	E71 160	E71 161	E71 162	E71 163	E71 164
	SHORT	D53 x L500	E71 165	E71 166	E71 167	E71 168	E71 169
SB35 II	LONG	D60 x L600	F81 136	F81 137	F81 138	F81 139	F81 140
	SHORT	D60 x L550	F81 141	F81 142	F81 143	F81 144	F81 145
SB40 II	LONG	D68 x L700	C01 220	C01 221	C01 222	C01 223	C01 224
	SHORT	D68 x L600	C01 225	C01 226	C01 227	C01 228	C01 229
SB43 II	LONG	D75 x L800	F91 144	F91 145	F91 146	F91 147	F91 148
	SHORT	D75 x L700	F91 159	F91 160	F91 161	F91 162	F91 163
SB45	LONG	D85 x L900	D41 101	D41 122	D41 123	D41 124	D41 125
	SHORT	D85 x L800	D41 155	D41 156	D41 158	D41 159	D41 157
SB50	LONG	D100 x L1000	C11 195	C11 196	C11 198	C11 199	C11 197
	SHORT	D100 x L900	C11 205	C11 206	C11 208	C11 209	C11 207
SB60	LONG	D125 x L1100	C21 114	C21 127	C21 129	C21 128	C21 130
	SHORT	D125 x L1000	C21 163	C21 164	C21 166	C21 167	C21 165
SB70	LONG	D135 x L1200	L01 118	L01 119	L01 121	L01 122	L01 120
	SHORT	D135 x L1100	L01 124	L01 125	L01 127	L01 128	L01 126
SB81	LONG	D140 x L1300	C31 211	C31 212	C31 214	C31 213	C31 215
	SHORT	D140 x L1200	C31 241	C31 242	C31 244	C31 245	C31 243
SB100	LONG	D150 x L1400	E91 113	E91 114	E91 115	E91 116	E91 117
	SHORT	D150 x L1300	E91 129	E91 130	E91 132	E91 133	E91 131
SB121	LONG	D155 x L1500	C61 227	C61 228	C61 230	C61 229	C61 231
	SHORT	D155 x L1400	C61 268	C61 269	C61 271	C61 272	C61 270
SB130 SB140	LONG	D165 x L1600	D81 115	D81 118	D81 117	D81 116	D81 119
	SHORT	D165 x L1500	D81 152	D81 153	D81 155	D81 156	D81 154
SB151	LONG	D175 x L1600	C71 157	C71 158	C71 160	C71 159	C71 161
	SHORT	D175 x L1500	C71 189	C71 190	C71 192	C71 193	C71 191

4. Side type

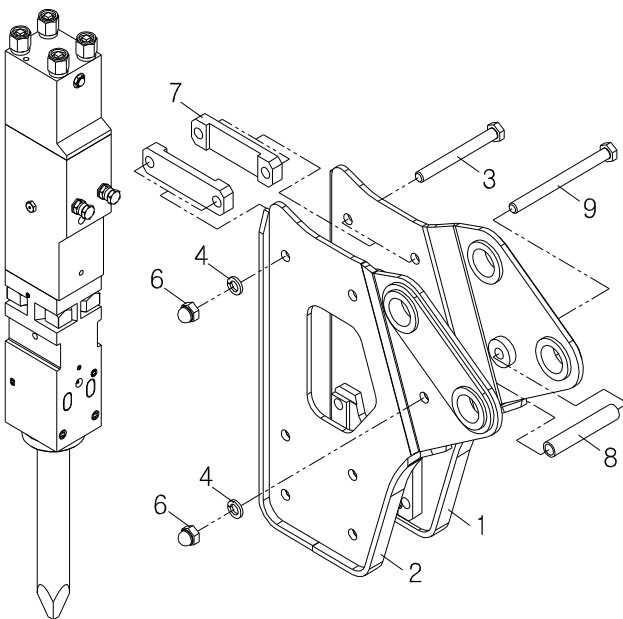
■ SB10 II, 20 II, 30 II, 35 II, 43 II



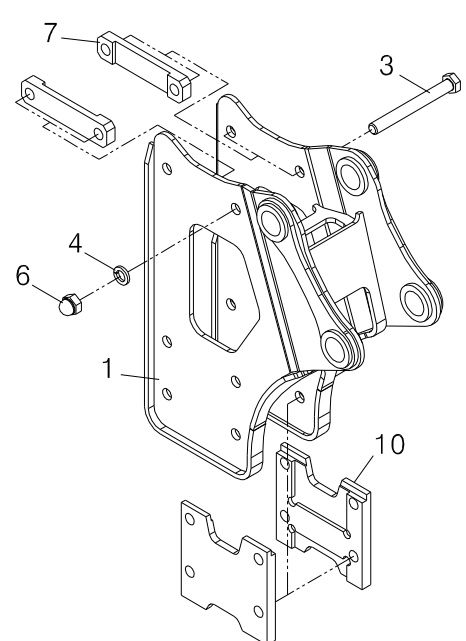
■ SB40 II



■ SB45



■ SB50

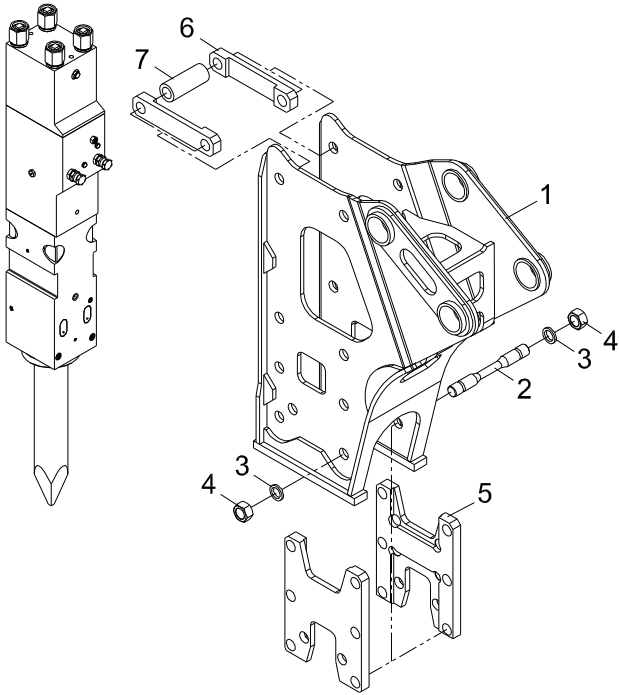


■ SIDE TYPE (SB10 II ~ SB50)

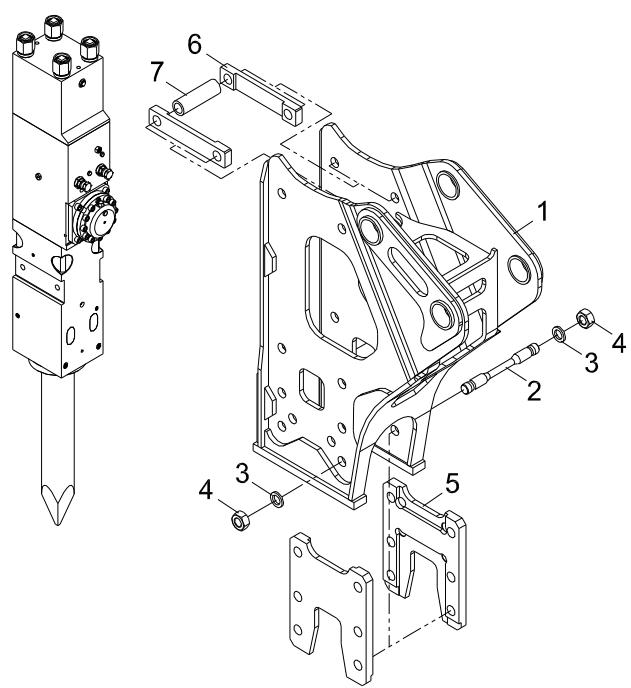
NO	SB10 II		SB20 II		SB30 II		SB35 II		PARTS NAME	REMARK
	P/N	Q'ty	P/N	Q'ty	P/N	Q'ty	P/N	Q'ty		
	E82 000	1Set	F02 001	1Set	E72 004	1Set	F82 004	1Set	Side Sub Ass'y	
1	E82 100	1	F02 100	1	E72 119	1	F82 118	1	Side Bracket-R	
2	E82 101	1	F02 103	1	E72 120	1	F82 119	1	Side Bracket-L	
3	4003118	12	4005146	12	4004318	12	4004321	12	Hex Bolt	
4	4211014	12	4211015	12	4211016	12	←	12	Spring Washer	
5	E83 135	1	F02 107	1	E73 160	1	F82 111	1	Spacer	

NO	SB40 II		SB43 II		SB45		SB50		PARTS NAME	REMARK
	P/N	Q'ty	P/N	Q'ty	P/N	Q'ty	P/N	Q'ty		
	C02 029	1Set	F92 001	1Set	D42 007(267) D42 011(225)	1Set	C12 019 (275) C12 021 (330) C12 025 (290)	1Set	Side Sub Ass'y	
1	C02 241	1	F92 100	1	D42 161(267) D42 180(225)	1	C12 249 (275) C12 266 (330) C12 282 (290)	1	Side Bracket(R)	
2	C02 242	1	F92 101	1	D42 162(267) D42 181(225)	1	-	-	Side Bracket-L	
3	4003453	5	4004414	12	4003451	6	4003468	6	Hex Bolt	
4	4210019	5	4211019	12	4210020	7	4211022	6	Spring Washer	
5	C02 156	1	F93 102	1	-	-	-	-	Spacer	
6	4143010	5	-	-	4143011	7	4143013 (275,330) 4101313(290)	6	Cap Nut	
7	C02 199	2	-	-	D42 170	2	C12 251	2	Guide Plate	
8	-	-	-	-	D43 120(267) D43 288(225)	1	-	-	Distance Pipe	
9	-	-	-	-	4003452(267) 4003320(225)	1	-	-	Hex Bolt	
10	-	-	-	-	-	-	C12 250	2	Set Plate	

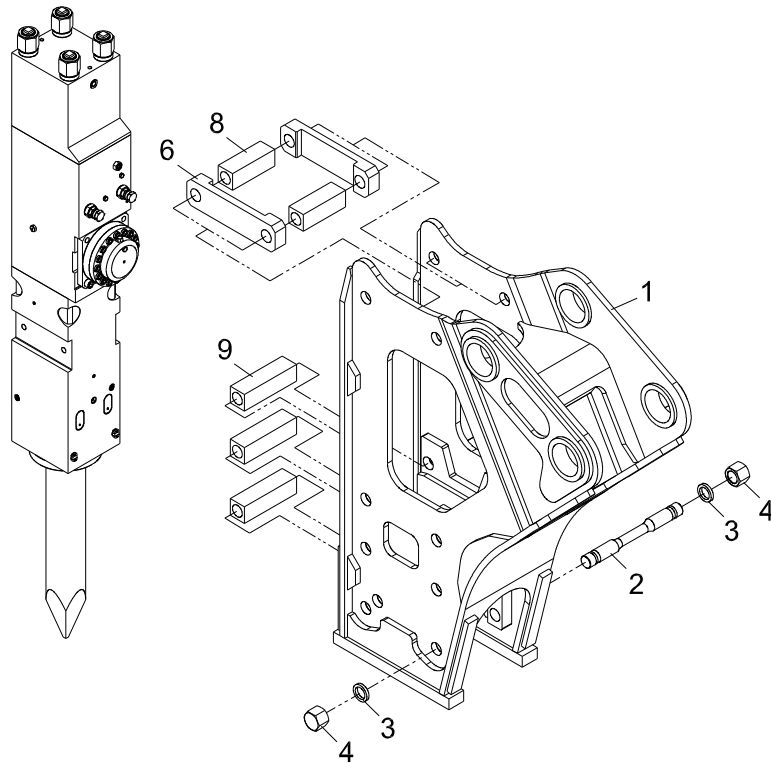
■ SB60,70,81



■ SB100,121,130,140



■ SB151



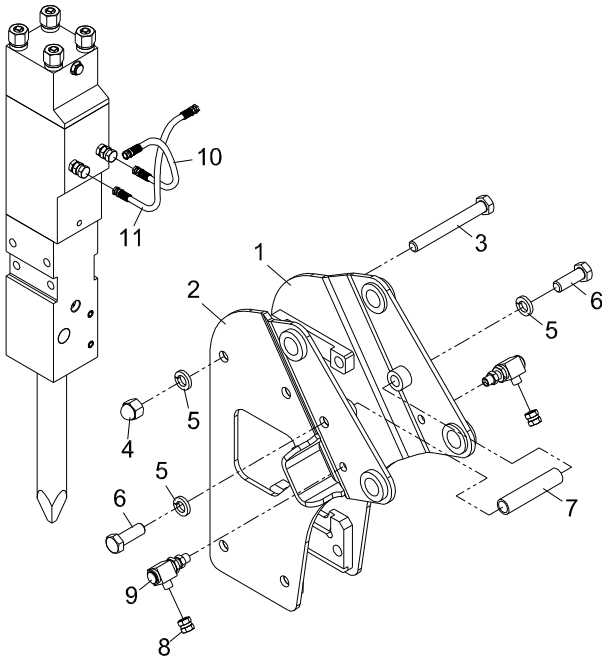
■ SIDE TYPE (SB60 ~ SB151)

NO	SB60		SB70		SB81		SB100		PARTS NAME	REMARK
	P/N	Q'ty	P/N	Q'ty	P/N	Q'ty	P/N	Q'ty		
	C22 019	1Set	L02 001	1Set	C32 038	1Set	E92 001	1Set	Side Sub Ass'y	
1	C22 212	1	L02 100	1	C32 379	1	E92 100	1	Side Bracket	
2	C22 103	8	L02 126	8	C32 211	8	E92 114	8	Side Bolt	
3	C33 209	16	L03 153	16	C33 114	16	←	16	Washer	
4	C22 104	16	L02 119	16	C32 212	16	←	16	Side Nut	
5	C22 102	2	L02 102	2	C32 152	2	E92 113	2	Set Plate	
6	C22 213	2	L02 101	2	C32 378	2	E92 116	2	Guide Plate	
7	C22 225	1	L02 115	1	C32 257	1	E92 115	2	Support Bar	

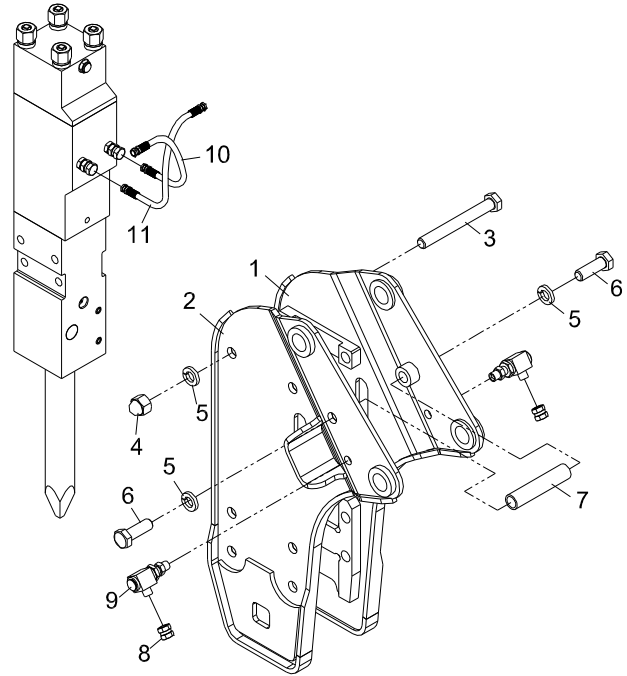
NO	SB121		SB130		SB140		SB151		PARTS NAME	REMARK
	P/N	Q'ty	P/N	Q'ty	P/N	Q'ty	P/N	Q'ty		
	C62 027	1Set	D82 015	1Set	L22 001	1Set	C72 013	1Set	Side Sub Ass'y	
1	C62 276	1	D82 178	1	L22 100	1	C72 185	1	Side Bracket	
2	D82 152	8	←	8	L22 103	8	C72 169	8	Side Bolt	
3	D82 153	16	←	16	←	16	C73 118	16	Washer	
4	C62 210	16	←	16	←	16	C72 170	16	Side Nut	
5	C62 292	2	D82 179	2	L22 101	2	-	-	Set Plate	
6	C62 293	2	D82 154	2	L22 102	2	C72 199	2	Guide Plate	
7	D82 112	1	←	1	L22 104	1	-	-	Support Bar	
8	-	-	-	-	-	-	C72 200	2	Support Bar-H	
9	-	-	-	-	-	-	C73 120	3	Support Bar-L	

5. Backhoe type

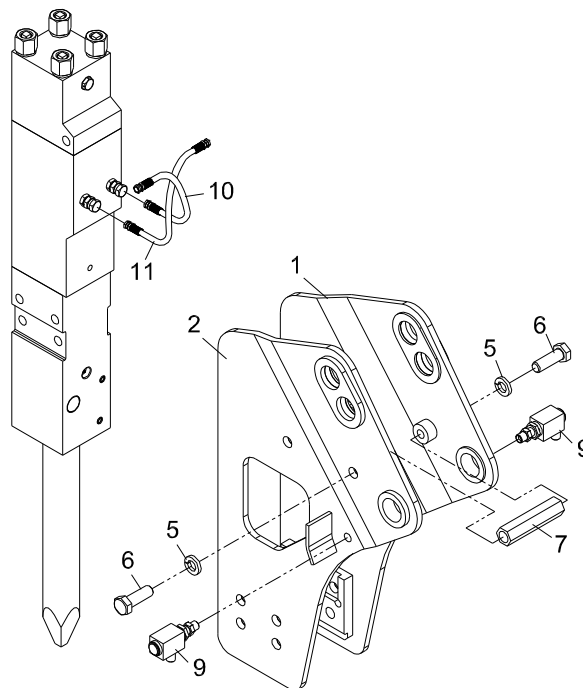
■ SB40 II BACKHOE



■ SB40 II BACKHOE(Heavy)



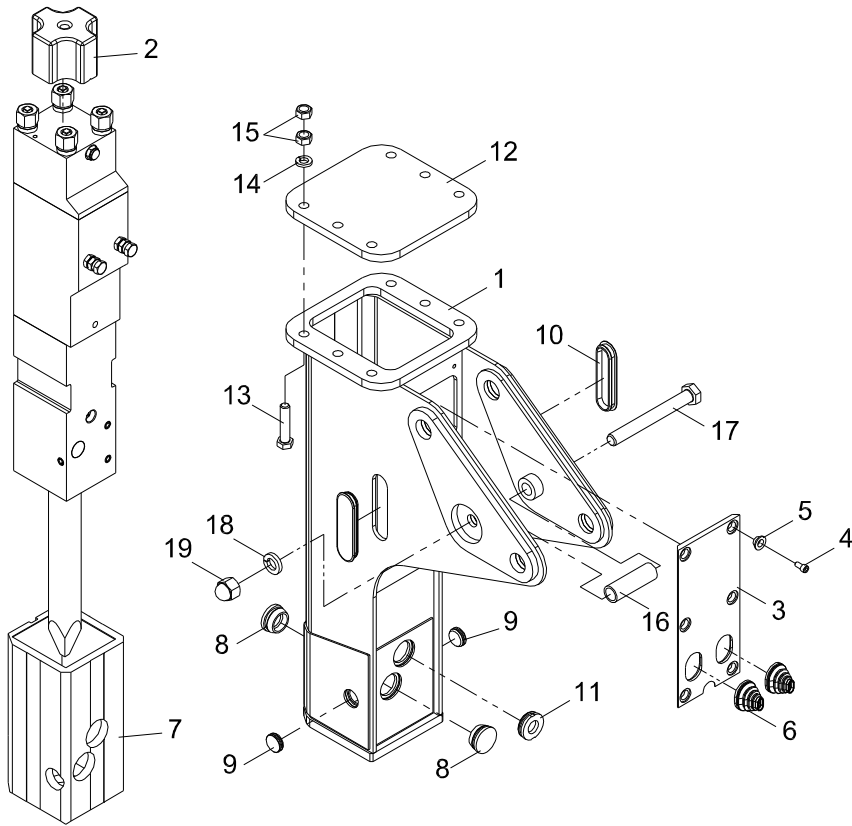
■ SB43 II BACKHOE



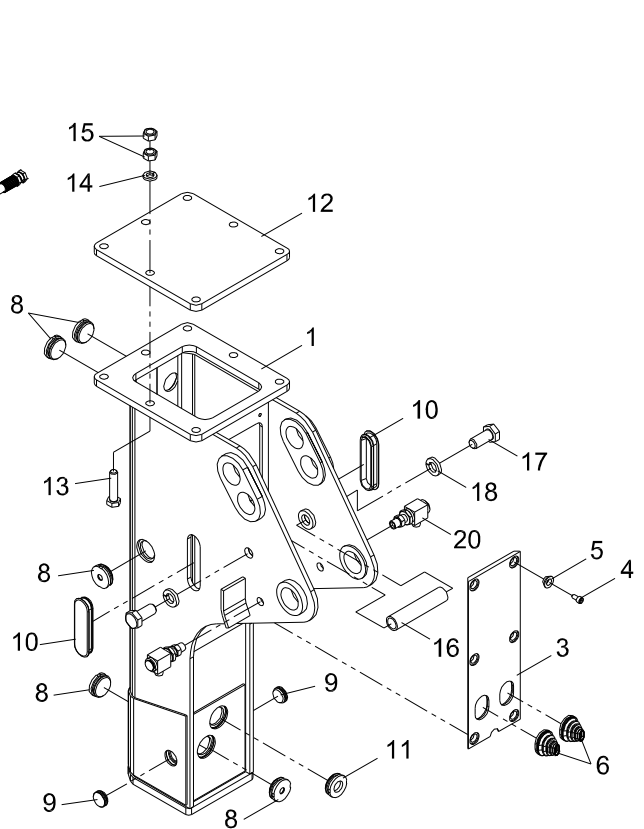
■ BACKHOE TYPE (SB40 ~ SB43)

NO	SB40 II BACKHOE		SB40 II BACKHOE (HEAVY)		SB43 II BACKHOE		PARTS NAME	REMARK
	P/N	Q'ty	P/N	Q'ty	P/N	Q'ty		
	C03 061	1Set	C03 063	1Set	F93 001	1Set	Frame Ass'y	
1	C03 402	1	C03 410	1	F93 100	1	Frame-R	
2	C03 403	1	C03 411	1	F93 101	1	Frame-L	
3	4003453	4	←	6	-	-	Hex Bolt	
4	4143010	4	←	6	-	-	Hex Cap Nut	
5	4211019	6	←	8	←	12	Spring Washer	
6	4004414	2	←	2	←	12	Hex Bolt	
7	F93 102	1	←	1	←	1	Spacer	
8	2715002	2	←	2	-	-	Union Cap	
9	C03 347	2	←	2	←	2	Swivel Adapter	
10	F93 190	1	←	1	←	1	Oil Hose-R	
11	F93 191	1	←	1	←	1	Oil Hose-L	

■ SB40 II SILENCED BACKHOE



■ SB43 II SILENCED BACKHOE



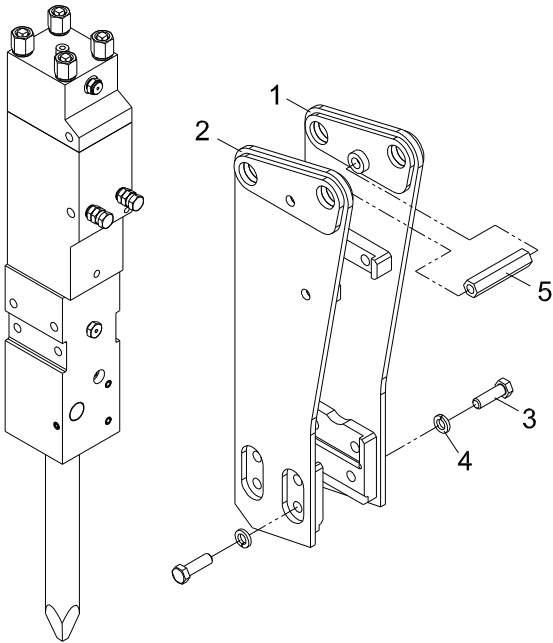
■ SILENCED BACKHOE (SB40 ~ SB43)

NO	SB40 II SILENCED BACKHOE		SB43 II SILENCED BACKHOE		PARTS NAME	REMARK
	P/N	Q'ty	P/N	Q'ty		
	C03 065	1Set	F93 013	1Set	Frame Ass'y	
1	C03 425	1	F93 169	1	Frame	
2	C03 229	1	←	1	Upper Cushion	
3	C03 302	1	F93 182	1	Window Cover	
4	4010060	6	←	6	Socket Bolt	
5	C03 282	6	←	6	Washer	
6	C03 295	2	←	2	Hose Cover	
7	C03 376	1	F93 115	1	Down Cushion	
8	C03 228	2	←	5	Sound Plug	
9	E73 116	2	←	2	Pin Plug	
10	F93 156	2	C13 318	2	Hose Plug	
11	C03 360	1	←	1	Grease Plug	
12	C02 278	1	F93 183	1	Cover Plate	
13	4003183	6	4003182	7	Hex Bolt	
14	4211016	6	4210016	7	Spring Washer	
15	4101307	12	←	14	Hex Nut	
16	C02 156	1	F93 102	1	Spacer	
17	4003453	1	4002389	2	Hex Bolt	
18	4211019	1	←	2	Spring Washer	
19	4143010	1	-	-	Hex Cap Nut	
20	-	-	C03 347	2	Swivel adapter	
21	-	-	2555209	2	Oil Hose	

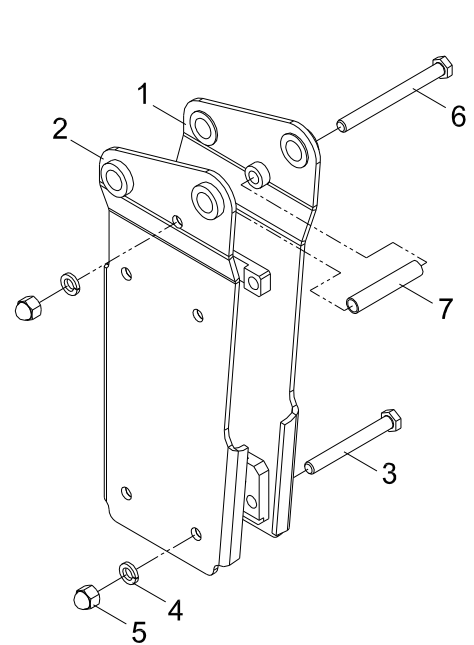
6. Top type

6.1 Standard top type(Direct mounting)

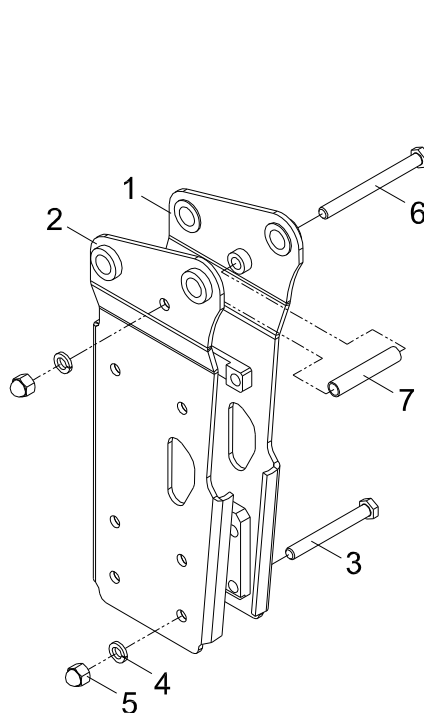
■ SB10 II ,20 II ,30 II ,35 II ,43 II



■ SB40 II



■ SB45



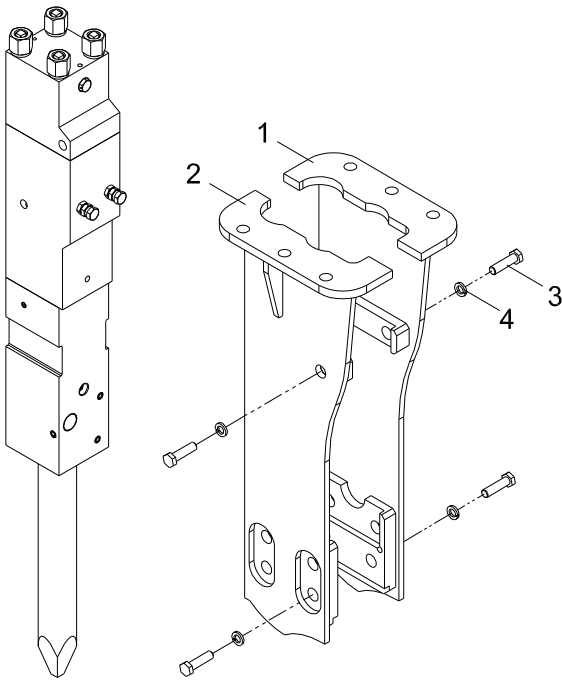
■ STANDARD TOP TYPE (SB10 II ~ SB45) : Direct mounting

NO	SB10 II		SB20 II		SB30 II		SB35 II		PARTS NAME	REMARK
	P/N	Q'ty	P/N	Q'ty	P/N	Q'ty	P/N	Q'ty		
	E83 003	1Set	F03 001	1Set	E73 018	1Set	F83 011	1Set	Frame Ass'y	
1	E83 133	1	F03 100	1	E73 205	1	F83 167	1	Frame-R	
2	E83 134	1	F03 101	1	E73 206	1	F83 168	1	Frame-L	
3	4003118	12	4005146	12	4004318	12	4004321	12	Hex Bolt	
4	4211014	12	4211015	12	4211016	12	←	12	Spring Washer	
5	E83 135	1	F02 107	1	E73 160	1	E82 111	1	Spacer	

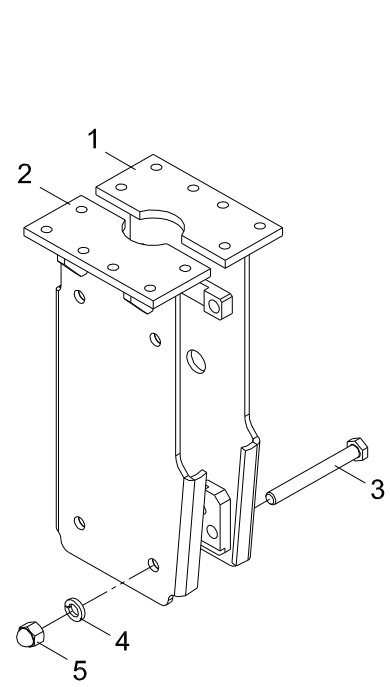
NO	SB40 II		SB43 II		SB45		PARTS NAME	REMARK
	P/N	Q'ty	P/N	Q'ty	P/N	Q'ty		
	C03 056	1Set	F93 010	1Set	D43 010	1Set	Frame Ass'y	
1	C03 377	1	F93 164	1	D43 129	1	Frame-R	
2	C03 378	1	F93 159	1	D43 130	1	Frame-L	
3	4003453	4	4004414	10	4003452	6	Hex Bolt	
4	4211019	5	←	10	4210020	7	Spring Washer	
5	4143010	5	-	-	4143011	7	Cap Nut	
6	4003292	1	-	-	4003451	1	Hex Bolt	
7	C02 158	1	-	-	D43 120	1	Distance Pipe	

6.2 Standard top type(Cap mounting)

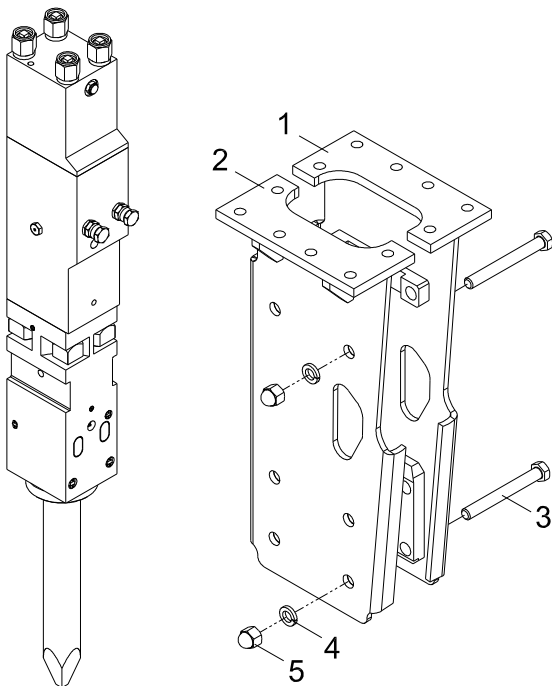
■ SB10 II ,20 II ,30 II ,35 II ,43 II



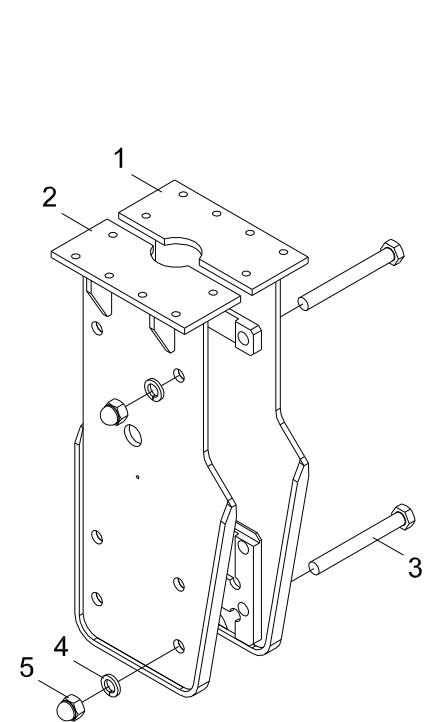
■ SB40 II



■ SB45



■ SB50

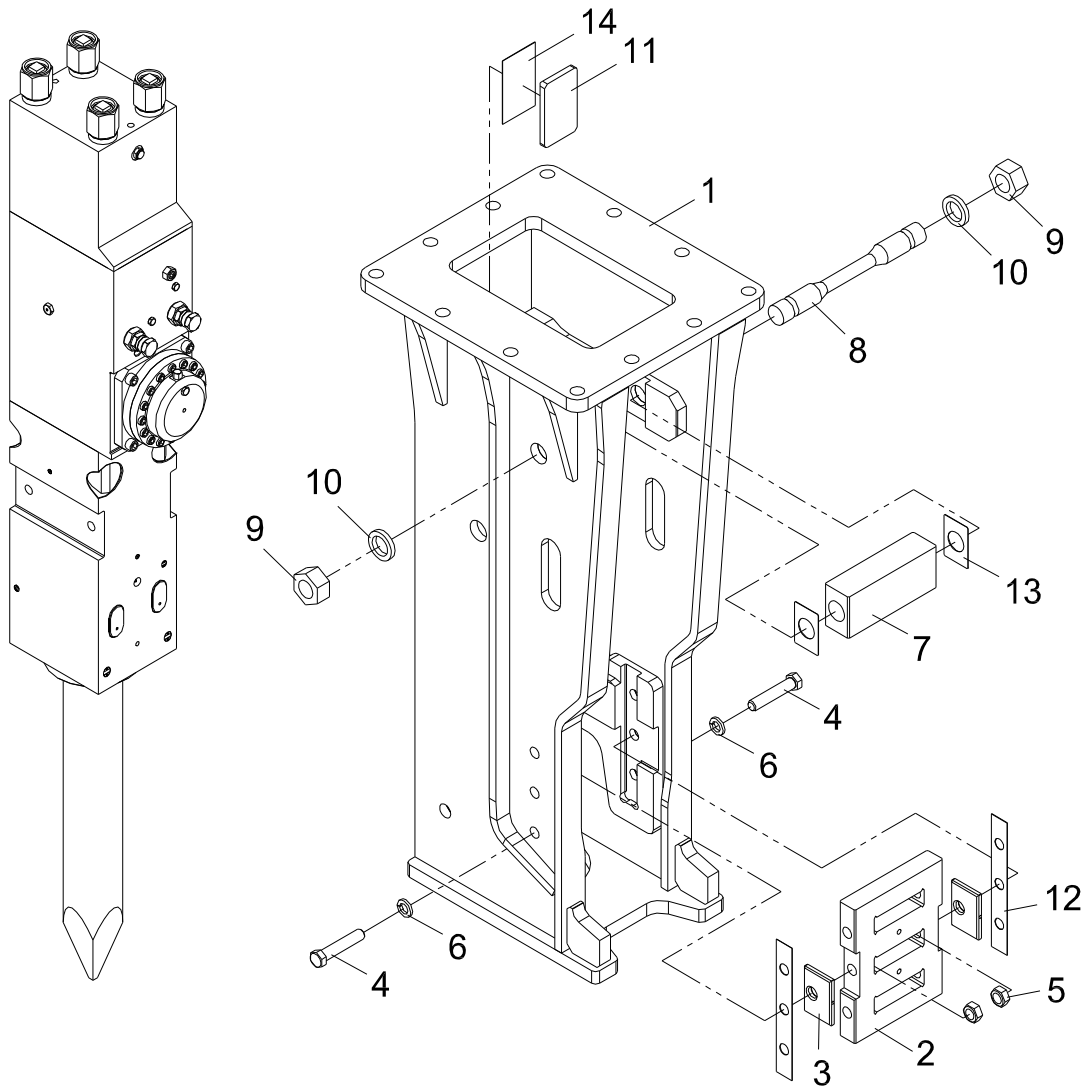


■ STANDARD TOP TYPE (SB10 II ~ SB50) : Cap mounting

NO	SB10 II		SB20 II		SB30 II		SB35 II		PARTS NAME	REMARK
	P/N	Q'ty	P/N	Q'ty	P/N	Q'ty	P/N	Q'ty		
	E83 006	1Set	F03 004	1Set	E73 019	1Set	F83 012	1Set	Frame Ass'y	
1	E83 150	1	F03 118	1	E73 203	1	F83 174	1	Frame-R	
2	E83 151	1	F03 119	1	E73 204	1	F83 175	1	Frame-L	
3	4003118	10	4005146	10	4004318	10	4004321	10	Hex Bolt	
4	4211014	10	4211015	10	4211016	10	←	10	Spring Washer	

NO	SB40 II		SB43 II		SB45		SB50		PARTS NAME	REMARK
	P/N	Q'ty	P/N	Q'ty	P/N	Q'ty	P/N	Q'ty		
	C03 057	1Set	F93 007	1Set	D43 006	1Set	C13 002	1Set	Frame Ass'y	
1	C03 379	1	F93 145	1	D43 117	1	C13 125	1	Frame-R	
2	C03 380	1	F93 146	1	D43 121	1	C13 124	1	Frame-L	
3	4003453	4	4004414	10	4003451	6	4005464	6	Hex Bolt	
4	4211019	4	←	10	4210020	6	4211022	6	Spring Washer	
5	4143010	4	-	-	4143011	6	4143013	6	Cap Nut	

■ SB60,70,81,100,121,130,140,151 TR-P

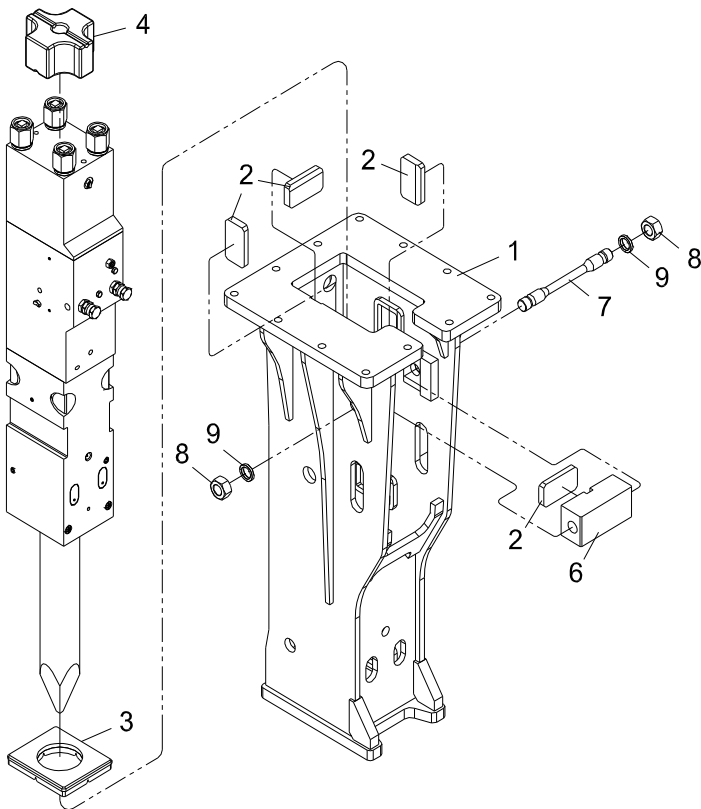


■ TRENCH PLUS TYPE (SB60 ~ SB151)

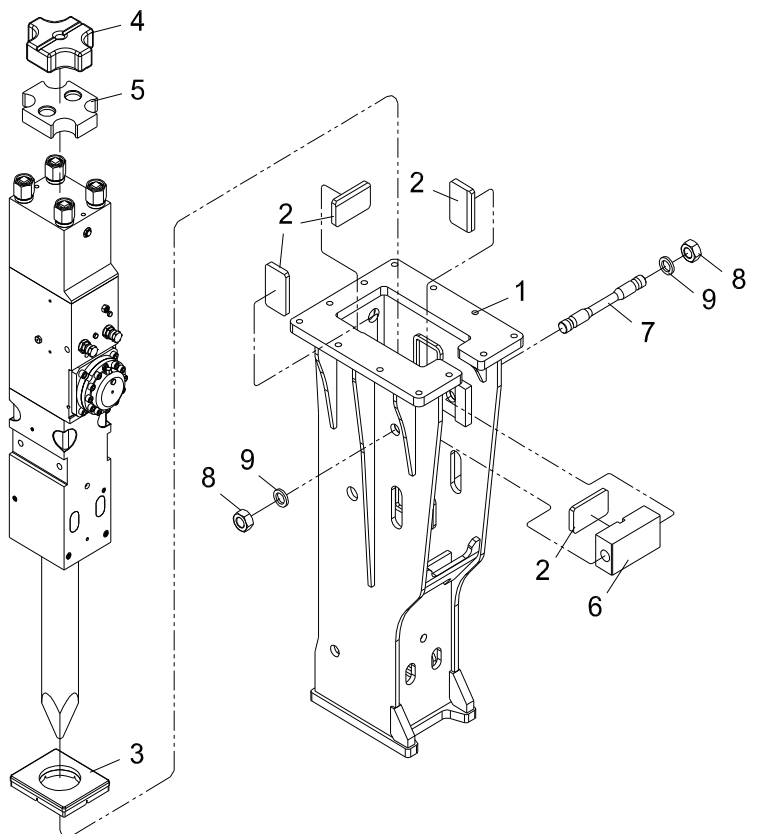
NO	SB60		SB70		SB81		SB100		PARTS NAME	REMARK
	P/N	Q'ty	P/N	Q'ty	P/N	Q'ty	P/N	Q'ty		
	C23 057	1	L03 009	1	C33 094	1	E93 012	1	Frame Ass'y	
1	C23 475	1	L03 221	1	C33 693	1	E93 254	1	Frame	
2	C23 491	1	L03 222	1	C33 694	1	E93 255	1	Support Plate	
3	L03 223	2	←	2	C33 695	2	E93 256	2	Key	
4	4005281	6	←	6	←	6	4005312	6	Hex Bolt	
5	4101310	6	←	6	←	6	4101311	6	Hex Nut	
6	4211019	6	←	6	←	6	4211020	6	Spring Washer	
7	C23 356	1	C33 716	1	←	1	E93 278	1	Support Bar	
8	C23 358	1	C32 211	1	←	1	E93 241	1	Side Bolt	
9	C22 173	2	L02 119	2	C32 212	2	←	2	Side Nut	
10	C33 209	2	L03 153	2	C33 114	2	←	2	Washer	
11	C12 418	2	←	3	D82 312	3	←	3	Inner Wear Plate	
12	L03 246	-	←	-	C33 795	-	E93 323	-	Support Shim	
13	C23 519	-	C33 796	-	←	-	E93 324	-	Guide Shim	
14	C12 438	-	←	-	D82 337	-	←	-	Inner W/P Shim	

NO	SB121		SB130		SB140		SB151		PARTS NAME	REMARK
	P/N	Q'ty	P/N	Q'ty	P/N	Q'ty	P/N	Q'ty		
	C63 063	1	D83 031	1	L23 181	1	C73 025	1	Frame Ass'y	
1	C63 435	1	D83 351	1	L23 182	1	C73 416	1	Frame	
2	C63 436	1	D83 352	1	L23 197	1	C73 413	1	Support Plate	
3	C63 437	2	D83 353	2	L23 199	2	C73 415	2	Key	
4	4005312	6	←	6	←	6	←	8	Hex Bolt	
5	4101311	6	←	6	←	6	←	8	Hex Nut	
6	4211020	6	←	6	←	6	←	8	Spring Washer	
7	C63 464	1	D83 354	1	L23 198	1	C73 414	1	Support Bar	
8	D82 152	1	L22 103	1	←	1	C73 368	1	Side Bolt	
9	C62 210	2	C62 210	2	←	2	C73 367	2	Side Nut	
10	D82 153	2	L22 162	2	D82 153	2	C73 118	2	Washer	
11	D82 312	3	←	3	←	3	←	3	Inner Wear Plate	
12	C63 509	-	D83 379	-	C63 507	-	C73 441	-	Support Shim	
13	C63 508	-	←	-	←	-	C73 442	-	Guide Shim	
14	D82 337	-	←	-	←	-	←	-	Inner W/P Shim	

■ SB60,70,81(A) TR-F



■ SB100,121,130,140,151 TR-F



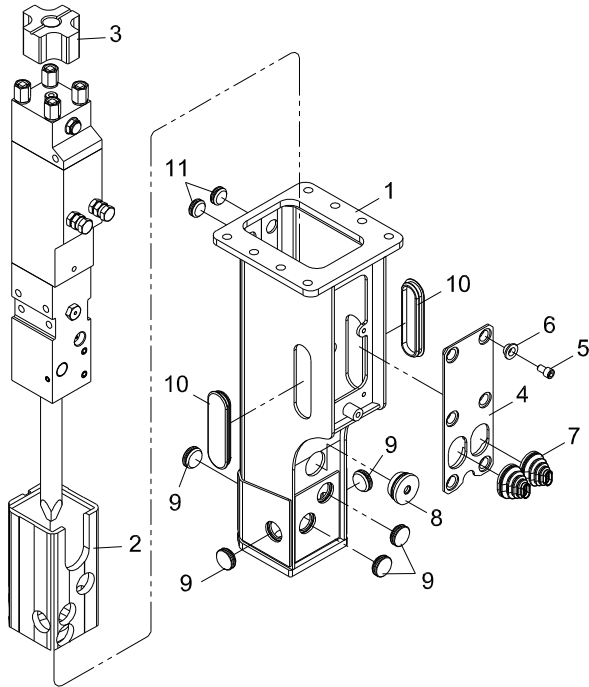
■ TRENCH FINAL TYPE (SB60 ~ SB151)

NO	SB60		SB70		SB81		SB81A		SB100		PARTS NAME
	P/N	Q'ty	P/N	Q'ty	P/N	Q'ty	P/N	Q'ty	P/N	Q'ty	
	C23 060	1Set	L03 012	1Set	C36 002	1Set	C36 001	1Set	E93 017	1Set	Frame Ass'y
1	C23 525	1	L03 250	1	C33 819	1	C33 804	1	E93 350	1	Frame
2	C33 824	12	←	12	←	12	←	12	L23 224	12	Inner Wear Plate
3	C23 408	1	L03 204	1	C33 669	1	←	1	E93 234	1	Down Cushion
4	C23 184	1	L03 101	1	C33 350	1	←	1	C63 390	1	Upper Cushion
5	-	-	-	-	-	-	-	-	E93 224	1	Upper Cushion Guide
6	C23 536	1	L03 260	1	C33 825	1	←	1	E93 364	1	Support Bar
7	C22 172	1	C23 358	1	C32 211	1	←	1	E93 365	1	Side Bolt
8	C22 173	2	←	2	C32 212	2	←	2	←	2	Side Nut
9	C33 209	2	←	2	C33 114	2	←	2	←	2	Washer

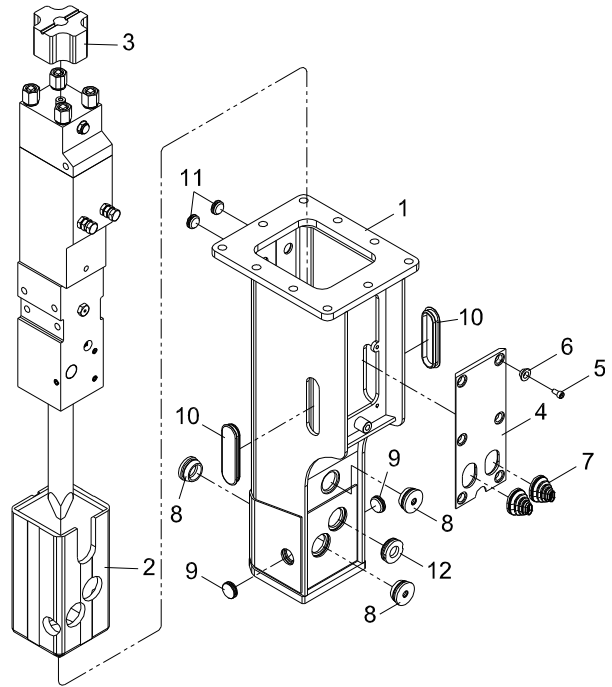
NO	SB121		SB130		SB140		SB151		PARTS NAME	REMARK
	P/N	Q'ty	P/N	Q'ty	P/N	Q'ty	P/N	Q'ty		
	C63 068	1Set	D83 034	1Set	L23 007	1Set	C73 029	1Set	Frame Ass'y	
1	C63 537	1	D83 383	1	L23 209	1	C73 446	1	Frame	
2	L23 224	12	←	12	←	12	←	13	Inner Wear Plate	
3	C63 420	1	D83 297	1	L23 159	1	C73 347	1	Down Cushion	
4	C63 390	1	D83 258	1	←	1	C73 314	1	Upper Cushion	
5	C63 391	1	D83 259	1	L22 142	1	C73 320	1	Upper Cushion Guide	
6	C63 525	1	L23 225	1	←	1	C73 458	1	Support Bar	
7	C63 526	1	C62 209	1	←	1	D83 313	1	Side Bolt	
8	C62 210	2	←	2	←	2	←	2	Side Nut	
9	C62 260	2	←	2	←	2	←	2	Washer	

6.3. TS-P type

■ SB10 || ,20 || TS-P



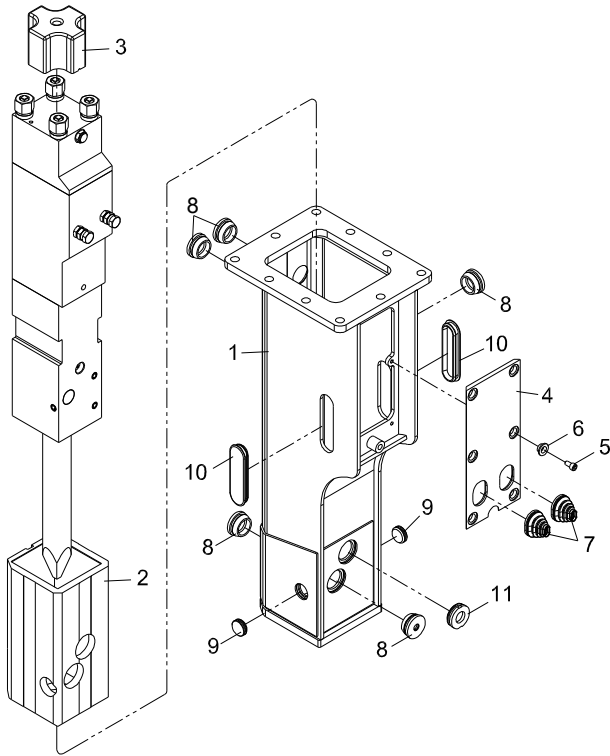
■ SB30 || ,35 || TS-P



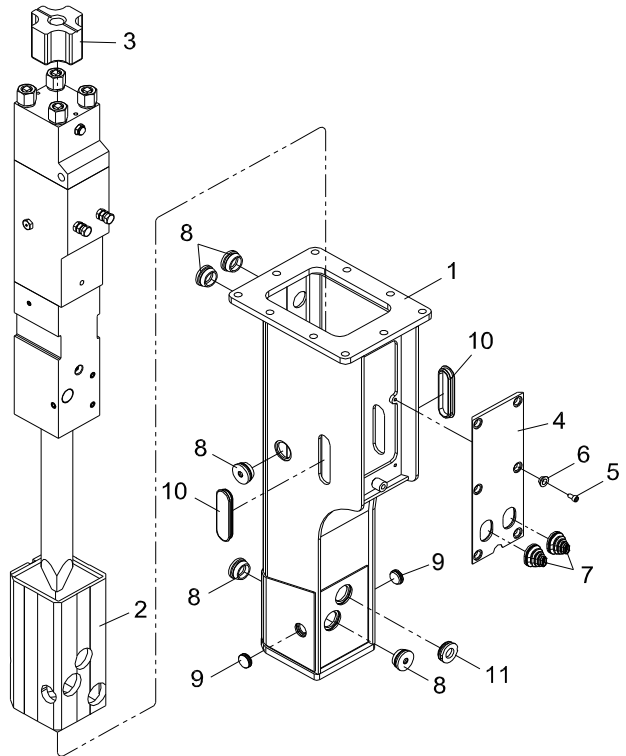
■ TS-P TYPE (SB10 || TS-P ~ SB35 || TS-P)

NO	SB10 TS-P		SB20 TS-P		SB30 TS-P		SB35 TS-P		PARTS NAME	REMARK
	P/N	Q'ty	P/N	Q'ty	P/N	Q'ty	P/N	Q'ty		
	E83 011	1Set	F03 018	1Set	E73 017	1Set	F83 010	1Set	Frame Ass'y	
1	E83 171	1	F03 180	1	E73 201	1	F83 165	1	Frame	
2	E83 125	1	F03 115	1	E73 202	1	F83 166	1	Down Cushion	
3	F03 116	1	←	1	E73 114	1	F83 118	1	Upper Cushion	
4	E83 141	1	F03 147	1	E73 173	1	F83 119	1	Window Cover	
5	4010060	6	4010059	6	4010060	6	←	6	Socket Bolt	
6	C03 282	6	←	6	←	6	←	6	Washer	
7	C03 295	2	←	2	←	2	←	2	Hose Cover	
8	C03 228	1	←	1	←	3	←	3	Pin Plug 1	
9	E73 116	5	←	5	←	2	←	2	Pin Plug 2	
10	E73 187	2	←	2	←	2	F93 156	2	Hose Plug	
11	E83 165	2	←	2	←	2	←	2	Sound Plug	
12	-	-	-	-	C03 360	1	←	1	Grease Plug	

■ SB40 II TS-P



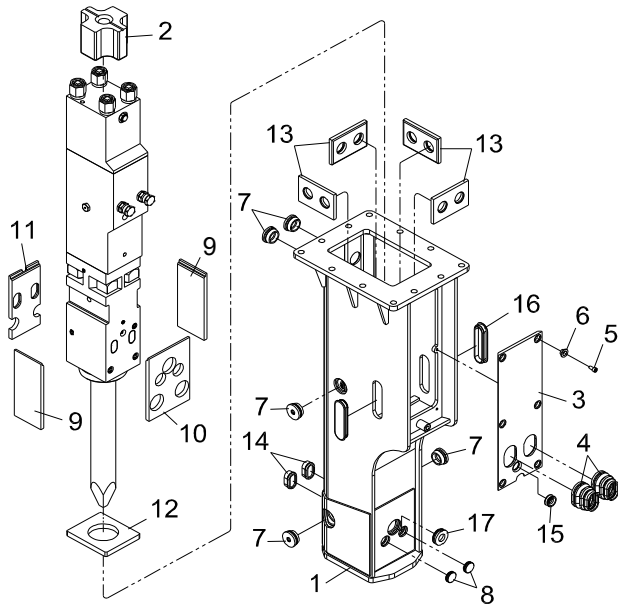
■ SB43 II TS-P



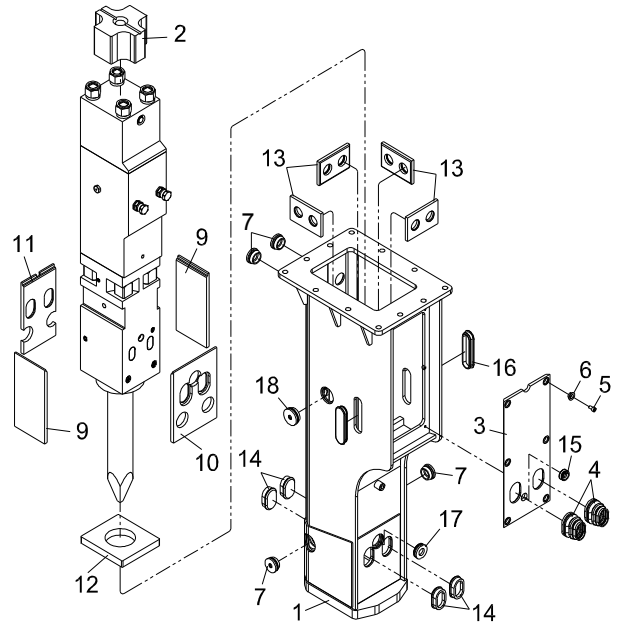
■ TS-P TYPE (SB40 II ,43 II TS-P)

NO	SB40 II TS-P		SB43 II TS-P		PARTS NAME	REMARK
	P/N	Q'ty	P/N	Q'ty		
	C03 055	1Set	F93 012	1Set	Frame Ass'y	
1	C03 375	1	F93 168	1	Frame	
2	C03 376	1	F93 115	1	Down Cushion	
3	C03 229	1	←	1	Upper Cushion	
4	C03 302	1	F93 114	1	Window Cover	
5	4010060	6	←	6	Socket Bolt	
6	C03 282	6	←	6	Washer	
7	C03 295	2	←	2	Hose Cover	
8	C03 228	5	←	5	Pin Plug 1	
9	E73 116	2	←	2	Pin Plug 2	
10	F93 156	2	←	2	Hose Plug	
11	C03 360	1	←	1	Grease Plug	

■ SB45TS-P



■ SB50TS-P



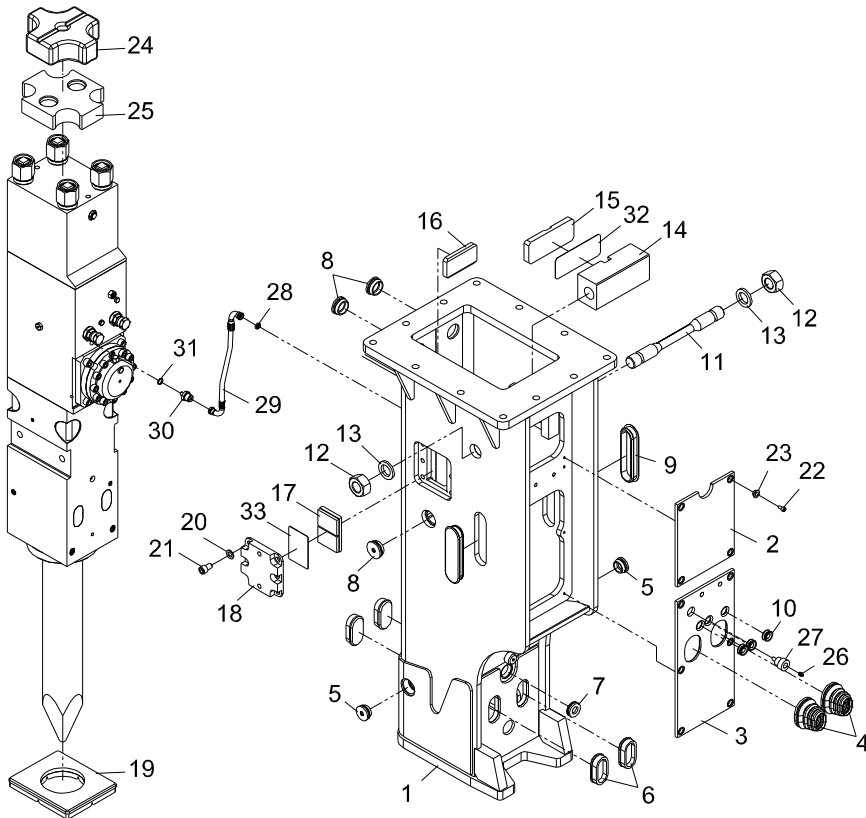
■ TS-P TYPE (SB45,50TS-P)

NO	SB 45TS-P		SB 50TS-P		PARTS NAME	REMARK
	P/N	Q'ty	P/N	Q'ty		
	D43 025	1Set	C13 034	1Set	Frame Ass'y	
1	D43 228	1	C13 291	1	Frame	
2	D43 153	1	C13 204	1	Upper Cushion	
3	D43 244	1	C13 302	1	Window Cover	
4	C13 261	2	←	2	Hose Cover	
5	4010060	6	←	6	Socket Bolt	
6	C03 282	6	←	6	Washer	
7	C03 228	5	←	4	Pin Plug 1	
8	E73 116	2	-	-	Pin Plug 2	
9	D43 245	2	C13 267	2	Wear Plate	
10	D43 246	1	C13 268	1	Wear Plate	
11	D43 247	1	C13 269	1	Wear Plate	
12	D43 292	1	C13 331	1	Down Cushion	
13	C13 270	4	←	4	Wear Plate	
14	D43 249	2	C13 196	4	Sound Plug	
15	C23 324	1	←	1	Plug	
16	C13 318	2	←	2	Hose Plug	
17	C03 360	1	←	1	Grease Plug	
18	-	-	C23 219	1	Check Plug	

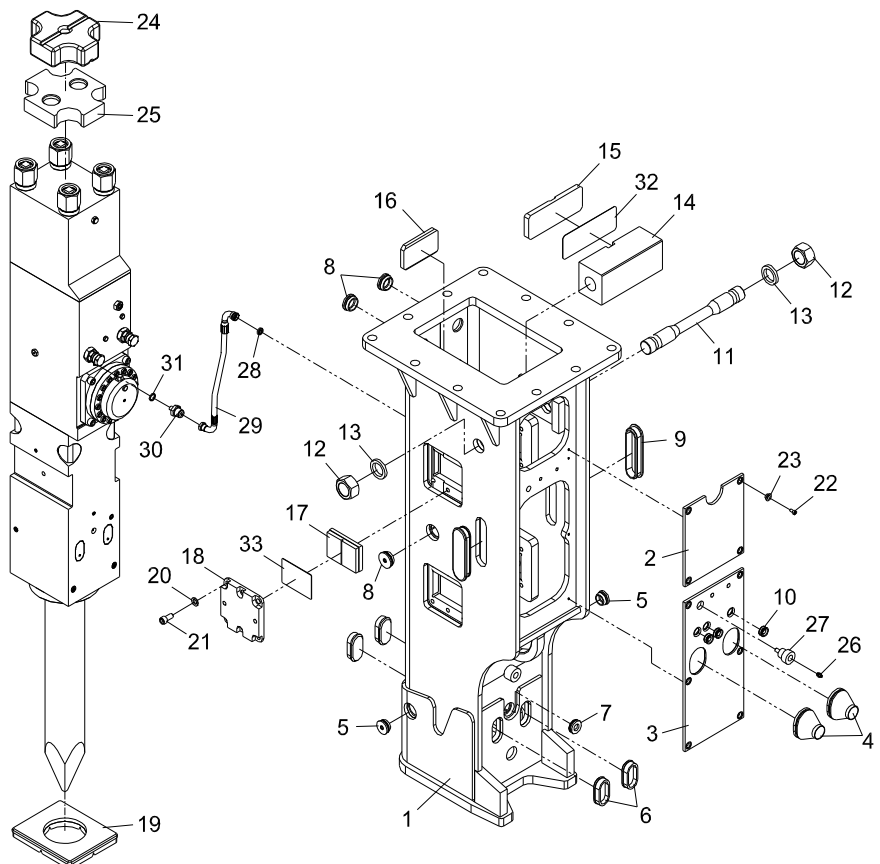
■ TS-P TYPE (SB60TS-P ~ SB81ATS-P)

NO	SB60TS-P		SB70TS-P		SB81,81ATS-P		PARTS NAME	REMARK
	P/N	Q'ty	P/N	Q'ty	P/N	Q'ty		
1	C23 054	1Set	L03 008	1Set	C33 093	1Set	Frame Ass'y	
	C23 415	1	L03 209	1	C33 670	1	Frame	
	C23 394	1	L03 181	1	C33 689	1	Window Cover-H	
	C23 395	1	L03 182	1	C33 640	1	Window Cover-L	
	C23 279	2	←	2	←	2	Hose Cover	
5	C03 228	2	←	2	←	2	Pin Plug	
6	C23 181	4	C33 339	4	←	4	Rod Plug	
7	C03 360	1	←	1	←	1	Grease Plug	
8	C23 219	3	←	3	←	3	Check Plug	
9	C33 553	2	←	2	←	2	Hose Plug	
10	C23 324	3	←	3	←	3	Window Plug	
11	C23 426	1	C32 211	1	E92 114	1	Side Bolt	
12	C22 235	2	L02 119	2	C32 212	2	Side Nut	
13	C22 236	2	L03 153	2	C33 114	2	Washer	
14	L03 199	1	C33 649	1	←	1	Support Bar	
15	L03 200	1	C33 650	1	←	1	Support Wear Plate	
16	L03 185	6	←	6	←	6	Inner Wear Plate	
17	E93 235	2	←	2	←	2	Side Wear Plate	
18	E93 253	2	←	2	←	2	W/P Holder	
19	C23 408	1	L03 204	1	C33 669	1	Down Cushion	
20	4220008	12	←	12	←	12	Dish Spring Washer	
21	4011143	12	←	12	←	12	Socket Bolt	
22	4010060	8	←	10	←	10	Socket Bolt	
23	C03 282	8	←	10	←	10	Washer	
24	C23 184	1	L03 101	1	C33 350	1	Upper Cushion	
25	2700403	1	←	1	←	1	Grease Nipple	
26	D83 288	1	←	1	←	1	Grease Adapter	
27	D83 289	1	←	1	←	1	Nut	
28	C23 413	1	←	1	←	1	Oil Hose	
29	C23 412	1	←	1	←	1	Adapter	
30	2851018	1	←	1	←	1	O-Ring	
31	L03 202	-	C33 652	-	←	-	Support Shim	
32	L03 190	-	←	-	←	-	W/P Shim	

■ SB100,121,130 TS-P



■ SB140,151 TS-P



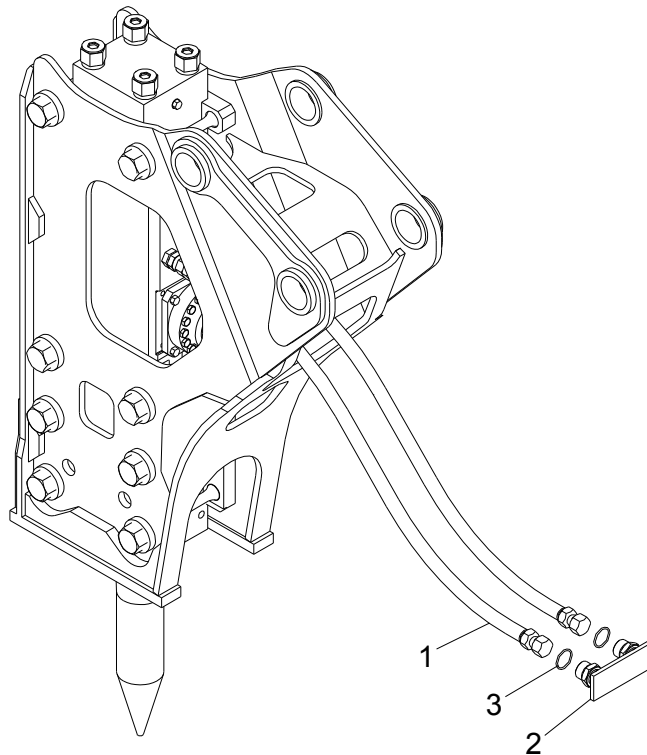
■ TS-P TYPE (SB100TS-P ~ SB151TS-P)

NO	SB100TS-P		SB121TS-P		SB130TS-P		SB140TS-P		SB151TS-P		PARTS NAME	REMARK
	P/N	Q'ty	P/N	Q'ty	P/N	Q'ty	P/N	Q'ty	P/N	Q'ty		
	E93 011	1Set	C63 062	1Set	D83 028	1Set	L23 006	1Set	C73 023	1Set	Frame Ass'y	
1	E93 252	1	C63 424	1	D83 302	1	L23 168	1	C73 354	1	Frame	
2	E93 222	1	C63 409	1	D83 284	1	L23 151	1	C73 335	1	Window Cover-H	
3	E93 223	1	C63 410	1	D83 285	1	L23 152	1	C73 312	1	Window Cover-L	
4	C23 279	2	D83 152	2	←	2	←	2	←	2	Hose Cover	
5	C03 228	2	←	2	←	2	←	2	←	2	Pin Plug	
6	C63 211	4	←	4	←	4	←	4	←	4	Rod Plug	
7	C03 360	1	←	1	←	1	←	1	←	1	Grease Plug	
8	C23 219	3	←	3	←	3	←	3	←	3	Check Plug	
9	C33 553	2	C63 339	2	←	2	←	2	C73 267	2	Hose Plug	
10	C23 324	3	←	3	←	3	←	3	←	3	Window Plug	
11	E93 241	1	D83 313	1	←	1	L23 179	1	C73 368	1	Side Bolt	
12	C32 212	2	C62 300	2	←	2	C73 367	2	←	2	Side Nut	
13	C33 114	2	C62 301	2	←	2	C73 118	2	←	2	Washer	
14	C33 649	1	C63 415	1	←	1	C73 326	1	←	1	Support Bar	
15	C33 650	1	C63 416	1	←	1	C73 327	1	←	1	Support Wear Plate	
16	L03 185	6	C73 313	6	←	6	←	6	←	10	Inner Wear Plate	
17	E93 235	2	C73 348	2	←	2	←	4	←	4	Side Wear Plate	
18	E93 253	2	C73 366	2	←	2	←	4	←	4	W/P Holder	
19	E93 234	1	C63 420	1	D83 297	1	L23 159	1	C73 347	1	Down Cushion	
20	4220008	12	←	12	←	12	←	24	←	24	Dish Spring Washer	
21	4011143	12	4011145	12	←	12	←	24	←	24	Socket Bolt	
22	4010060	10	←	10	←	10	←	10	←	12	Socket Bolt	
23	C03 282	10	←	10	←	10	←	10	←	12	Washer	
24	C63 390	1	←	1	D83 258	1	←	1	C73 314	1	Upper Cushion	
25	E93 224	1	C63 391	1	D83 259	1	L22 142	1	C73 320	1	Upper Cushion Guide	
26	2700403	1	←	1	←	1	←	1	←	1	Grease Nipple	
27	D83 288	1	←	1	←	1	←	1	←	1	Grease Adapter	
28	D83 289	1	←	1	←	1	←	1	←	1	Nut	
29	C23 413	1	D83 300	1	←	1	←	1	←	1	Oil Hose	
30	C23 412	1	←	1	←	1	←	1	←	1	Adapter	
31	2851018	1	←	1	←	1	←	1	←	1	O-Ring	
32	C33 652	-	C63 419	-	←	-	C73 334	-	←	-	Support Shim	
33	L03 190	-	D83 263	-	←	-	←	-	←	-	W/P SHIM	

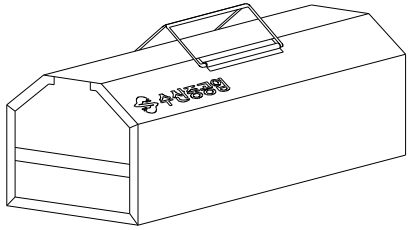
7. Oil Hose

No	Parts Name	SB10	SB20	SB30	SB35	SB40	SB43	SB45	SB50	Q'ty
		Parts No.	Parts No.	Parts No.	Parts No.	Parts No.	Parts No.	Parts No.	Parts No.	
1	Spring Hose	2614146	2614246	←	2614250	←	2614252	2611352	2611360	2
2	Hose Plug	E84 100	C04 100	←	←	←	C14 100	←	←	1
3	O-ring	-	-	-	-	-	2856003	←	←	2

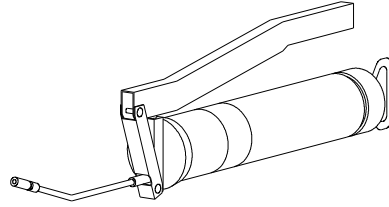
No	Parts Name	SB60	SB70	SB81 SB81A	SB100	SB121	SB130	SB140	SB151	Q'ty
		Parts No.	Parts No.	Parts No.	Parts No.	Parts No.	Parts No.	Parts No.	Parts No.	
1	Spring Hose	2610466	←	←	2610470	2610571	←	←	←	2
2	Hose Plug	C34 100	←	←	←	C64 100	←	←	←	1
3	O-ring	2856004	←	←	←	2856005	←	←	←	2



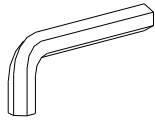
8. Tool set (Option)



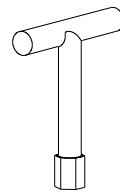
TOOL BOX



GREASE GUN



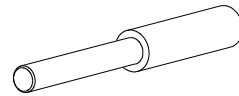
L- WRENCH



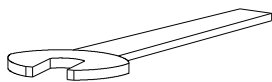
T - WRENCH



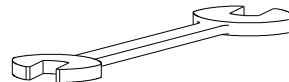
EYE BOLT



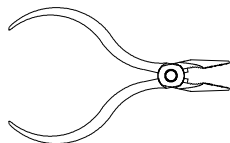
PIN BAR



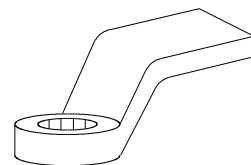
SINGLE SPANNER



DOUBLE SPANNER



PLIERS



SINGLE RING SPANNER

■ Tool set (Side, Top, Back-hoe)

TOOL	Q'ty	SB10 II	SB20 II	SB30 II	SB35 II	SB40 II	SB43 II	SB45	SB50	SB60	SB70	SB81	SB81A	SB100	SB121	SB130	SB140 SB151	
Tool set	1	E81020	F01020	E71020	F81020	C01020	F91020	D41020	C11020	C21020	L01020	C31020	C31021	E91020	C61020	C61020	C71020	
Tool box	1	M 8290002	M 8290002	M 8290002	M 8290002	M 8290002	M 8290002	M 8290002	M 8290002	L 8290003	L 8290003	L 8290003	L 8290003	L 8290003	L 8290003	L 8290003	L 8290003	
Combination Spanner	1	-	27 mm 8203161	30 mm 8203162	30 mm 8203162	-	-	-	-	-	-	-	-	-	-	-	-	
Double spanner	1	-	-	-	-	27*30 8203060	27*30 8203060	27*30 8203060	27*30 8203060	27*30 8203060	27*30 8203060	27*30 8203060	27*30 8203060	27*30 8203060	27*30 8203060	27*30 8203060	27*30 8203060	
Double spanner	1	22*24 8203057	-	-	-	-	22*24 8203057	22*24 8203057	22*24 8203057	22*24 8203057	22*24 8203057	22*24 8203057	22*24 8203057	22*24 8203057	22*24 8203057	22*24 8203057	22*24 8203057	
Grease gun	1	300cc 8214002	300cc 8214002	300cc 8214002	300cc 8214002	300cc 8214002	300cc 8214002	300cc 8214002	300cc 8214002	300cc 8214002	300cc 8214002	300cc 8214002	300cc 8214002	300cc 8214002	300cc 8214002	300cc 8214002	300cc 8214002	
L-Wrench	1	5 mm 8202103	5 mm 8202103	5 mm 8202103	5 mm 8202103	5 mm 8202103	5 mm 8202103	5 mm 8202103	5 mm 8202103	5 mm 8202103	5 mm 8202103	5 mm 8202103	5 mm 8202103	5 mm 8202103	5 mm 8202103	5 mm 8202103	5 mm 8202103	
L-Wrench	1	-	-	-	-	-	-	-	-	8 mm 8202105	8 mm 8202105	8 mm 8202105	8 mm 8202105	8 mm 8202105	12 mm 8202107	12 mm 8202107	12 mm 8202107	
L-Wrench	1	-	-	-	-	-	-	-	-	-	-	-	14 mm 8202108	14 mm 8202108	14 mm 8202108	14 mm 8202108	17 mm 8202110	
L-Wrench	1	-	-	-	-	-	-	-	-	-	-	-	17 mm 8202110	17 mm 8202110	17 mm 8202110	17 mm 8202110	19 mm 8202111	
Pin bar	1	D10 E71124	D10 E71124	D10 E71124	D13 F81131	D14 C01147	D14 C01147	D14 C01147	D14 C01147	D14 C01147	D14 C01147	D14 C01147	D14 C01147	D14 C01147	D14 C01147	D14 C01147	D14 C01147	
SINGLE RING SPANNER	1	-	-	-	-	-	-	50 mm C11154	55 mm C11155	65 mm C11157	70 mm C11158	75 mm C11159	75 mm C11159	75 mm C11159	75 mm C11159	75 mm C11159	85 mm C11161	
SINGLE RING SPANNER	1	-	-	-	-	-	-	-	-	-	-	-	-	-	85 mm C11161	85 mm C11161	-	
Single spanner	1	27 mm 8203012	30 mm 8203013	27 mm 8203012	27 mm 8203012	13 mm 8203003	41 mm 8203018	36 mm 8203016	36 mm 8203016	36 mm 8203016	36 mm 8203016	36 mm 8203016	36 mm 8203016	36 mm 8203016	36 mm 8203016	32 mm 8203014	32 mm 8203014	36 mm 8203016
Single spanner	1	30 mm 8203013	-	36 mm 8203016	36 mm 8203016	41 mm 8203018	46 mm 8203019	46 mm 8203019	-	41 mm 8203018	41 mm 8203018	41 mm 8203018	41 mm 8203018	41 mm 8203018	46 mm 8203019	46 mm 8203019	46 mm 8203019	
Single spanner	1	-	-	-	-	-	-	-	-	46 mm 8203019	46 mm 8203019	46 mm 8203019	46 mm 8203019	46 mm 8203019	50 mm 8203020	50 mm 8203020	50 mm 8203020	
Single spanner	1	-	-	-	-	-	-	-	-	-	-	50 mm 8203020	50 mm 8203020	50 mm 8203020	55 mm 8203021	55 mm 8203021	55 mm 8203021	
Pliers	1	-	-	-	-	-	-	230 mm 8204024	230 mm 8204024	230 mm 8204024	230 mm 8204024	230 mm 8204024	230 mm 8204024	230 mm 8204024	230 mm 8204024	230 mm 8204024	230 mm 8204024	
T-Wrench	1	14 mm 8202131	14 mm 8202131	14 mm 8202131	14 mm 8202131	14 mm 8202131	14 mm 8202131	14 mm 8202131	14 mm 8202131	14 mm 8202131	14 mm 8202131	14 mm 8202131	14 mm 8202131	14 mm 8202131	14 mm 8202131	14 mm 8202131	14 mm 8202131	

Soosan Hydraulic Breaker

■ Tool set (TS-P)

TOOL	Q'ty	SB10 II	SB20 II	SB30 II	SB35 II	SB40 II	SB43 II	SB45	SB50	SB60	SB70	SB81	SB81A	SB100	SB121	SB130	SB140 SB151	
Tool set	1	E81021	F01021	E71021	F81021	C01021	F91021	D41021	C11021	C21021	L01021	C31022	C31023	E91021	C61021	D81021	C71021	
Tool box	1	M 8290002	M 8290002	M 8290002	M 8290002	M 8290002	M 8290002	M 8290002	M 8290002	L 8290003	L 8290003	L 8290003	L 8290003	L 8290003	L 8290003	L 8290003	L 8290003	
Double spanner	1	22*24 8203057	-	-	-	-	22*24 8203057	22*24 8203057	22*24 8203057	22*24 8203057	22*24 8203057	22*24 8203057	22*24 8203057	22*24 8203057	22*24 8203057	22*24 8203057	22*24 8203057	
Double spanner	1	-	-	-	-	27*30 8203060	27*30 8203060	27*30 8203060	27*30 8203060	27*30 8203060	27*30 8203060	27*30 8203060	27*30 8203060	27*30 8203060	27*30 8203060	27*30 8203060	27*30 8203060	
Eye bolt	1	M16 4020004	M16 4020004	M16 4020004	M16 4020004	M16 4020004	M16 4020004	-	-	-	M16 4020004	M16 4020004	M16 4020004	M16 4020004	M16 4020004	M16 4020004	M16 4020004	
Eye bolt	2	M12 4020003	M12 4020003	M12 4020003	M12 4020003	M12 4020003	M12 4020003	M16 4020004	M16 4020004	M16 4020004	M24 4020006	M24 4020006	M24 4020006	M24 4020006	M30 4020007	M30 4020007	M30 4020007	
Grease gun	1	300cc 8214002	300cc 8214002	300cc 8214002	300cc 8214002	300cc 8214002	300cc 8214002	300cc 8214002	300cc 8214002	300cc 8214002	300cc 8214002	300cc 8214002	300cc 8214002	300cc 8214002	300cc 8214002	300cc 8214002	300cc 8214002	
Long adapter	1	110 mm F01137	110 mm F01137	110 mm F01137	110 mm F01137	110 mm F01137	110 mm F01137	110 mm F01137	110 mm F01137	110 mm F01137	110 mm F01137	110 mm F01137	110 mm F01137	110 mm F01137	110 mm F01137	110 mm F01137	110 mm F01137	
L-Wrench	1	5 mm 8202103	5 mm 8202103	5 mm 8202103	5 mm 8202103	5 mm 8202103	5 mm 8202103	5 mm 8202103	5 mm 8202103	5 mm 8202103	5 mm 8202103	5 mm 8202103	5 mm 8202103	5 mm 8202103	5 mm 8202103	5 mm 8202103	5 mm 8202103	
L-Wrench	1	-	-	-	-	-	-	-	-	-	-	-	14 mm 8202108	14 mm 8202108	14 mm 8202108	14 mm 8202108	17 mm 8202110	
L-Wrench	1	-	-	-	-	-	-	-	-	-	-	-	17 mm 8202110	17 mm 8202110	17 mm 8202110	17 mm 8202110	19 mm 8202111	
L-Wrench	1	-	-	-	-	-	-	-	-	-	-	-	-	-	12 mm 8202107	12 mm 8202107	12 mm 8202107	
L-Wrench	1	8 mm 8202105	8 mm 8202105	8 mm 8202105	8 mm 8202105	8 mm 8202105	8 mm 8202105	8 mm 8202105	8 mm 8202105	8 mm 8202105	8 mm 8202105	8 mm 8202105	8 mm 8202105	8 mm 8202105	8 mm 8202105	8 mm 8202105	8 mm 8202105	
Pin bar	1	D10 E71124	D10 E71124	D10 E71124	D13 F81 131	D14 C01147	D14 C01147	D14 C01147	D14 C01147	D14 C01147	D14 C01147	D14 C01147	D14 C01147	D14 C01147	D14 C01147	D14 C01147	D14 C01147	
Single ring Spanner	1	-	-	-	-	-	-	50 mm C11154	55 mm C11155	65 mm C11157	70 mm C11158	75 mm C11159	75 mm C11159	75 mm C11159	75 mm C11159	75 mm C11159	85 mm C11161	
Single spanner	1	27 mm 8203012	27 mm 8203012	27 mm 8203012	36 mm 8203016	41 mm 8203018	46 mm 8203019	36 mm 8203016	36 mm 8203016	36 mm 8203016	36 mm 8203016	36 mm 8203016	36 mm 8203016	36 mm 8203016	36 mm 8203016	32 mm 8203014	32 mm 8203014	36 mm 8203016
Single spanner	1	30 mm 8203013	30 mm 8203013	30 mm 8203013	27 mm 8203012	13 mm 8203003	-	-	-	41 mm 8203018	41 mm 8203018	41 mm 8203018	41 mm 8203018	41 mm 8203018	36 mm 8203016	46 mm 8203019	46 mm 8203019	
Single spanner	1	-	-	36 mm 8203016	30 mm 8203013	-	-	-	-	-	-	-	50 mm 8203020	50 mm 8203020	50 mm 8203020	50 mm 8203020	50 mm 8203020	
Single spanner	1	-	-	-	-	-	-	-	-	-	-	-	-	-	55 mm 8203021	55 mm 8203021	55 mm 8203021	
Pliers	1	-	-	-	-	-	-	230 mm 8204024	230 mm 8204024	230 mm 8204024	230 mm 8204024	230 mm 8204024	230 mm 8204024	230 mm 8204024	230 mm 8204024	230 mm 8204024	230 mm 8204024	
T-Wrench	1	14 mm 8202131	14 mm 8202131	14 mm 8202131	14 mm 8202131	14 mm 8202131	14 mm 8202131	14 mm 8202131	14 mm 8202131	14 mm 8202131	14 mm 8202131	14 mm 8202131	14 mm 8202131	14 mm 8202131	14 mm 8202131	14 mm 8202131	14 mm 8202131	

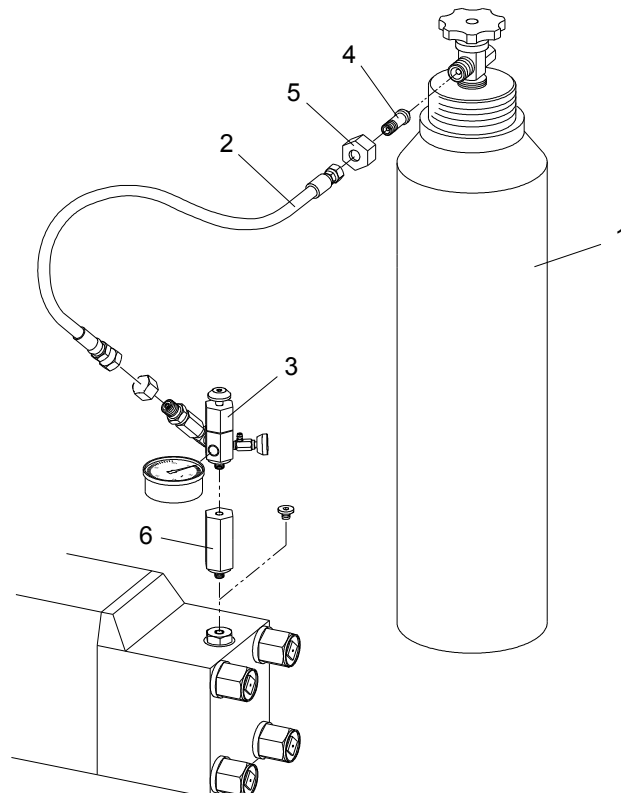
9. Back head gas charging kit (Option)

9.1 Back head gas charging kit 1(SB10 II ~ SB50)

NO	PARTS No.	Q'ty	PARTS NAME
	C01 272	1Set	N ₂ Gas charging set
1	2900013	1	N ₂ Gas cylinder
2	2651001	1	Synflex hose
3	C01 244	1	3 - Way valve assembly
4	C91 122	1	Bombe adapter
5	C91 121	1	Bombe adapter nut
6	F01 137	1	Long adapter : Use in TS-P type

9.2 Back head gas charging kit 2(SB60 ~ SB151)

NO	PARTS No.	Q'ty	PARTS NAME
	C61 204	1Set	N ₂ Gas charging set
1	2900003	1	N ₂ Gas cylinder
2	2651001	1	Synflex hose
3	C01 244	1	B-3Way valve assembly
4	C91 122	1	Bombe adapter
5	C91 121	1	Bombe adapter nut
6	F01 137	1	Long adapter : Use in TS-P type



10. Accumulator charging tool set (Option)

NO	PARTS No.	Q'ty	PARTS NAME
	C61 205	1Set	Accumulator gas charging set
1	C61 204	1Set	N ₂ Gas charging set
2	2850010	1	O-Ring
3	U81 414	1	Hex bushing
4	2850014	1	O-RING

