

**B-SERIES CRAWLER EXCAVATORS
CX700B | CX800B**

CASE
CONSTRUCTION



**BUILT
STRONG**

www.casece.com
EXPERTS FOR THE REAL WORLD
SINCE 1842

B-SERIES CRAWLER EXCAVATORS

DURABILITY BUILT IN

Case equipment plays a leading role in major infrastructure and construction projects around the world, with Case customers confident that they have the right machine to meet their needs. The CX700B and the CX800B take Case to new levels of productivity and performance. Boasting legendary durability and reliability, these two models are the most powerful machines in the Case line-up.

POWER TO PERFORM

The CX800B and CX700 B are powered by an EU Stage IIIA compliant Isuzu engine, offering 463 and 532 hp of power and an incredible 1980 and 2250 Nm of torque. These electronically controlled power plants offer proven low fuel consumption and reduced exhaust emissions, yet have class-leading performance. Pilot fuel injection contributes to reduced noise levels, while Superpower mode offers speed priority when required.



OPERATOR COMFORT

The wide cab structure offers more leg and foot space, while the extensive glass surface contributes to give an impression of aperture to the operator. Ergonomic layout, intuitive controls and a seat that lays flat ensures optimum comfort and safety to the operator. Additionally, the viscous fluid cab mountings and top quality insulation lead to a stress and fatigue reduction for the operator, boosting productivity and performance. Four position consoles with return to pre-set modes will suit operators of all sizes and needs.

EASY TO SERVICE

Large wide opening access doors and sturdy non-slip walkways on both sides of the machine provide ease of maintenance for technicians. All filters are centrally grouped with green oil drain facilities for engine oil. A hydraulically-driven cooling fan can be reversed on start up to blow out dust and debris.

BIG ON POWER BIG ON PRECISION CONTROL

Through the Case Intelligent Computer Command Control System (ICCCS) the operator has complete control of engine output and hydraulic power. With a choice of operating modes, the operator has a Superpower function, with automatic Power Boost, for maximum tear out and reduced cycle times.

Customer peace of mind is assured with total protection of the hydraulic system, thanks to a synthetic filter that ensures the lowest possible levels of contamination. This advanced filter provides hydraulic oil change intervals of up to 5,000 hours, reducing downtime and operating costs. Dedicated boom and arm combinations, including a short stick mass excavation format, provide increased productivity in all operating conditions.

The CX800B can handle buckets with capacities up to 5m³.



B-SERIES CRAWLER EXCAVATORS



ENGINE

Both CX700B and CX800B feature a proven SIX cylinder common rail engine meeting Tier 3 emissions standards. The CX800B uses the same well proven fuel efficient Isuzu six cylinder engine as the CX700B. However power is increased by 15% and torque is up by 13.6%. providing increased productivity and performance in all conditions. The engine is EU Stage IIIA compliant. offering low specific fuel consumption and cleaner exhaust emissions. Pilot fuel injection and a hydraulically-driven cooling fan contribute to greatly reduced noise levels. both in the cab and outside the machine.

All Case B series excavators can be equipped with hot climates cooling system (Tropical Package) to face temperatures above 45°.



HYDRAULICS

Case excavators have the power and speed to perform in really tough digging applications. Using an Intelligent Computer Command Control System (ICCCS). the CX700B and the CX800B provide the operator with optimum balance of speed. power and fuel efficiency. whatever the task. Both features a Superpower mode. for speed priority when needed. while the heavy working mode optimises productivity and fuel efficiency. Class-leading digging forces and reduced cycle time contribute to achieve the best performance. Furthermore. the hydraulic system benefits from total protection. thanks to a synthetic filter. which ensures the lowest possible contamination. This advanced filter allows hydraulic oil change intervals of up to 5000 hours. reducing downtime and operating costs for the customer.



CONTROLS

Hydraulic system mode selection (three working modes available) is intuitively set through an advanced engine throttle control. easy reachable from the operator in the fully adjustable right hand console:

- A** A-MODE: for grading. lifting and precision work.
- H** H-MODE: the best balance between productivity and fuel economy.
- SP** SP-MODE: extra speed and power for the most demanding jobs that require maximum productivity.

Operators can store up to 10 auxiliary hydraulic flow settings in the machine's advanced hydraulic control. making it possible to use up to 10 attachments with no manual adjustment to the machine's hydraulic valves.

The display console has a luminosity sensor to ensure that it is easy to read whatever the ambient light conditions.

**BUILT
STRONG**

ULTIMATE ENVIRONMENT

The Case CXB range of hydraulic excavators feature one of the largest, most comfortable cabs in the business. Class-leading levels of visibility, thanks to larger glazed areas and slim pillars, provide the operator with an unparalleled view to the working area.

A comfortable fully reclining operator's seat, standard air conditioning with nine outlet louvres to distribute heat and ventilation ensure that the driver remains comfortable throughout the working day. Cup holders, a clock, a mobile phone holder, a built-in coolbox and numerous storage compartments make the Case cab the ideal environment to ensure maximum productivity.

The cab sits on isolating mountings that reduce noise and vibration, improving the working environment for the operator and boosting productivity.



B-SERIES CRAWLER EXCAVATORS



MAINTENANCE SIMPLICITY

Both models feature large and wide opening doors at each sides of the machine, which are easily accessed by 300 mm wide catwalks, making it easy for technicians to access the engine and hydraulic components. All filters are carefully grouped for ease of access, with engine oil draining by green anti-drop plug.

An auto-stop electric fuel pump is fitted as standard, providing rapid 100 liters/min flow to reduce refuelling times and cut work for the operator.



UNDERCARRIAGE

The Case tradition of building strong, durable excavators is continued in the CX700B And in the CX800B.

A sturdy carbody, welded internally for added strength, features a reinforced slew frame for maximum strength and durability. This provides the strength to perform in the toughest conditions. Standard two speed travel motors facilitate easy repositioning on the job site. The motors downshift automatically when required and compact high torque final drives ensure traction on the steepest grades and in the deepest mud.

IMPROVED PIN AND BUSHING LIFE

Previously only available on machines above 30 tons, Extended Maintenance Bushings (EMS) are now standard equipment on all Case CX B series excavators. These low maintenance bushings provide longer greasing intervals, greatly reducing daily and weekly maintenance for the operator, and increasing productivity. Anti-friction resin shims in the boom foot and head reduce noise and free play, increasing durability and reliability for the customer.



EMS chrome plated pins with brass bushing



Anti-friction shims



MASS EXCAVATION

Not just incredible earth moving machines, the CX700B and CX800B can be supplied with auxiliary hydraulic hoses to power a range of attachments. Deep groove welding ensures that the booms and arms can withstand the stress of high breakout forces, heavy lifting and attachments such as hydraulic breakers, compactors, demolition shears and crushers.

The CX800B mass excavation is equipped with a 7.25 m main boom and an extra heavy duty 2.98 m dipperstick, for maximum penetration and increased loading productivity, the CX800B can handle buckets with capacities up to 5 m³

B-SERIES CRAWLER EXCAVATORS

SPECIFICATIONS

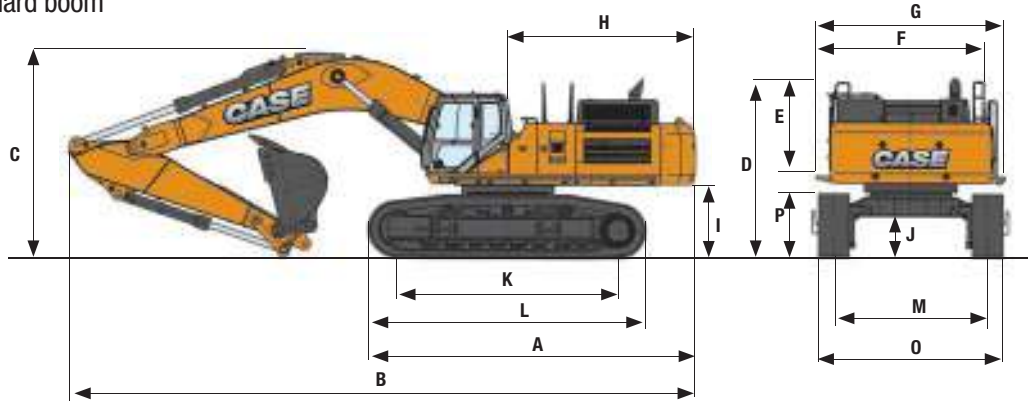
CX700B

CX800B

ENGINE			
Make	ISUZU		
Type	AH-6WG1XYSS-01		AH-6WG1XYSS-02
Emission levels	Tier 3		
Common rail. turbo. intercooler. fuel cooler. EGR (Exhaust Gas Recirculator)	Yes		
Direct injection	Electronically controlled		
Number of cylinders	6		
Bore - Stroke (mm)	147 x 154		
Cubic capacity (cc)	15700		
Max power (kW/hp) EEC80/1269	345/463		397/532
(@rpm)	1800		1800
Maximum Torque (Nm)	1980		2250
(@rpm)	1500		
HYDRAULIC SYSTEM			
Max output (l/min)	2 x 440		2 x 500
(@ rpm)	1800		
2 axial piston. variable flow pumps	Yes		
Attachment/Power Boost (bar)	314		
Upperstructure swing (bar)	279		265
Travel (bar)	343		
Oil filtration	6 micron		
Type of oil filter	Synthetic fiber super fine high catch		
SWING			
Max upperstructure swing speed (rpm)	6.5		6.4
Swing torque (kN-m)	241		266
TRAVEL			
	The travel circuit is equipped with axial piston. variable flow motors		
Max travel speed (km/h)	4.1		4.2
Low travel speed (km/h)	3.0		2.9
Speed change is controlled from the instrument panel			
Automatic downshifting	Yes		
Gradeability	70% (35)		
Tractive (daN)	46200		56500
ELECTRICAL SYSTEM			
Circuit (V)	24		
Batteries (V - A/h)	2 x 12 - 92		
Circuit equipped with water-proof connectors	Yes		
Alternator (V - Amp)	24 - 50		
UNDERCARRIAGE			
Upper rollers	3		3
Lower rollers	8		8
Number of track pads	47		51
Type of shoes	Double grouser		
Track pad with standard (mm)	650		
CIRCUIT AND COMPONENT CAPACITIES			
Fuel tank LC (l)	900		
Hydraulic reservoir LC (l)	310		
Hydraulic system (l)	650		720
Travel reduction gear (per side) (l)	15		13.8
Swing reduction gear (l)	13.5		13.5
Engine (including filter change) (l)	52		52
Engine cooling system (l)	108		133

CX700B GENERAL DIMENSIONS

With 7.70 m standard boom



DIPPER LENGTH CX700B

			3.55 m	3.02 m	4.11 m	5.00 m
A	Overall length (without attachment)	mm	6910	6910	6910	6910
B	Overall length (with attachment)	mm	13290	13250	13300	13170
C	Overall height (with attachment)	mm	4300	4370	4470	5160
D	Overall height (without attachment)	mm	3790	3790	3790	3790
E	Cab height	mm	3480	3480	3480	3480
F	Upper structure overall width (without catwalks)	mm	3390	3390	3390	3390
G	Upper structure overall width (with catwalks)	mm	3990	3990	3990	3990
H	Swing (rear end) radius	mm	4000	4000	4000	4000
I	Clearance height under upper structure	mm	1510	1510	1510	1510
J	Minimum ground clearance	mm	825	825	825	825
K	Wheel base (Center to center of wheels)	mm	4700	4700	4700	4700
L	Crawler overall length	mm	5880	5880	5880	5880
M	Track gauge (Extended)	mm	3250	3250	3250	3250
	Track gauge (Retracted)	mm	2740	2740	2740	2740
O	Undercarriage overall width (Extended) (with 650 mm shoes)	mm	4140	4140	4140	4140
	Undercarriage overall width (Retracted) (with 650 mm shoes)	mm	3630	3630	3630	3630
P	Crawler tracks height	mm	1340	1340	1340	1340

CX700B PERFORMANCE DATA

With 7.70 m standard boom

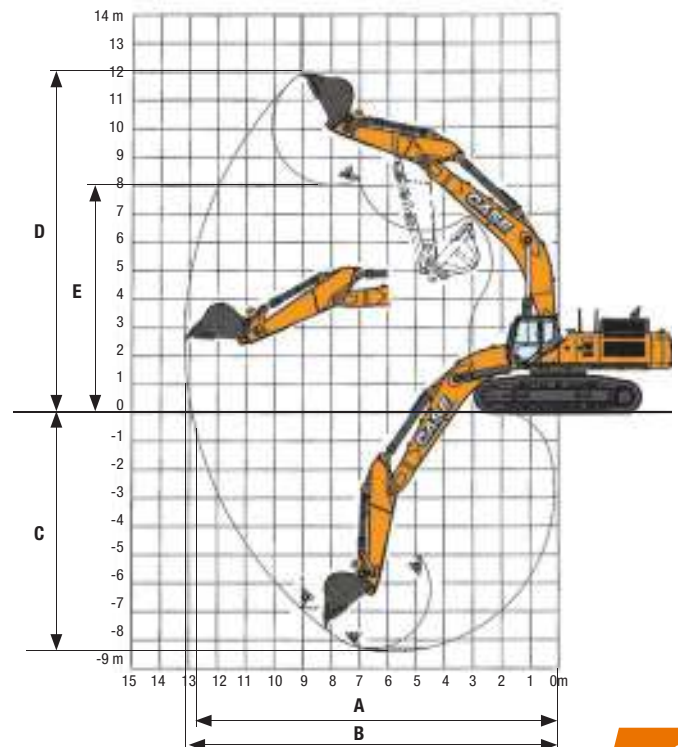
DIPPER LENGTH			3.55 m	3.02 m	4.11 m	5.00 m
A	Maximum reach at GRP	mm	12900	12600	13400	14300
B	Maximum reach	mm	13160	12870	13650	14600
C	Max. digging depth	mm	8400	7870	8970	9850
D	Max. digging height	mm	11920	12400	12040	12700
E	Max. dumping height	mm	8020	8330	8160	8710
	Arm digging force	kN	224	244	202	175
	With auto power up	kN	245	267	221	192
	Bucket digging force	kN	290	290	290	290
	With auto power up	kN	317	317	317	317

OPERATING WEIGHT

with 3.55 m arm, 2.9 m³ bucket, 650 mm grouser shoes, operator, lubricant, coolant and full fuel tank

CX700B	Weight
	68.900 kg

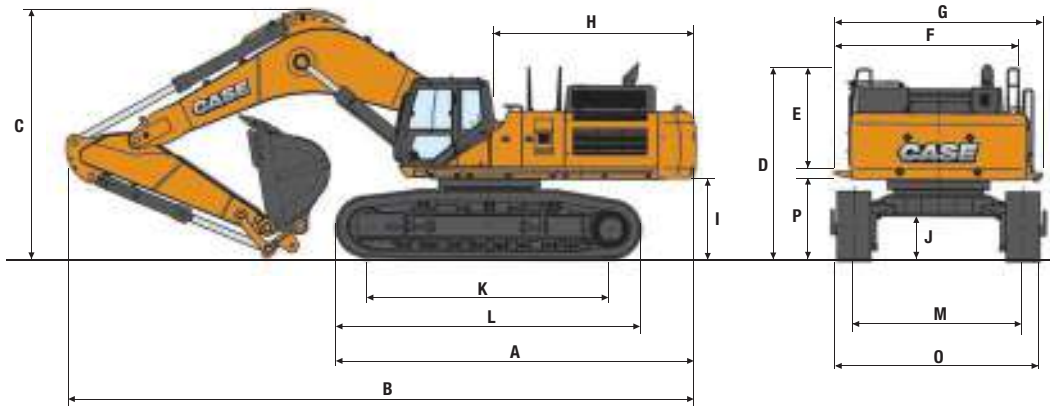
Counterweight 10.400 kg



SPECIFICATIONS

CX700B MASS EXCAVATION GENERAL DIMENSION

With 6.58 m Mass Excavation boom - 3.00 m Dipper



DIPPER LENGTH

3.02 m

A	Overall length (without attachment)	mm	6910
B	Overall length (with attachment)	mm	12280
C	Overall height (with attachment)	mm	5030
D	Overall height (without attachment)	mm	3790
E	Cab height	mm	3480
F	Upper structure overall width (without catwalks)	mm	3390
G	Upper structure overall width (with catwalks)	mm	3990
H	Swing (rear end) radius	mm	4000
I	Clearance height under upper structure	mm	1510
J	Minimum ground clearance	mm	825
K	Wheel base (Center to center of wheels)	mm	4700
L	Crawler overall length	mm	5880
M	Track gauge (Extended)	mm	3250
	Track gauge (Retracted)	mm	2740
O	Undercarriage overall width (Extended) (with 650 mm shoes)	mm	4140
	Undercarriage overall width (Retracted) (with 650 mm shoes)	mm	3630
P	Crawler tracks height	mm	1340
	Height in transport position without bucket. dipper cylinder loosened	mm	4225

CX700B MASS EXCAVATION PERFORMANCE DATA

With 6.58 m Mass Excavation Boom - 3.00 m Dipper

DIPPER LENGTH

3.02 m

A	Maximum reach at GRP	mm	11310
B	Maximum reach	mm	11600
C	Max. digging depth	mm	7080
D	Max. digging height	mm	10880
E	Max. dumping height	mm	6860
	Arm digging force	kN	281
	With auto power up	kN	307
	Bucket digging force	kN	334
	With auto power up	kN	365

* Mass Excavation - attachment

OPERATING WEIGHT

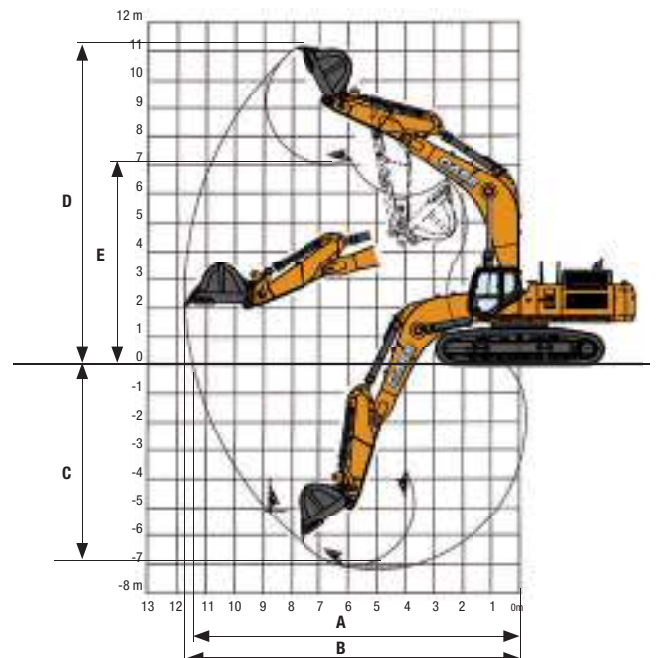
with 3.02 m Arm , 4.0 m³ Bucket , 650 mm grouser shoes, operator, lubricant, coolant and full fuel tank

CX700B MASS EXCAVATION

Weight

69.100 kg

Counterweight 10.400 kg



CX700B LIFTING CAPACITY with 7.70 m standard boom

		REACH															
		3.0 m		4.5 m		6.0 m		7.5 m		9.0 m		10.5 m		12.0 m		At max reach	
Front	Side	m															

Standard arm. 3.55 m arm length. 2919 kg bucket. 650 mm shoes

9.0 m																	8764*	8764*	8.81
7.5 m									11099*	11099*							7787*	7787*	9.96
6.0 m									12315*	11330	8487*	8348					7973*	7973*	10.59
4.5 m			26726*	26726*	19216*	19216*	15456*	14810	13232*	10783	11278*	8063					8401*	7378	10.97
3.0 m			20712*	20712*	22208*	19700	17152*	13830	14215*	10205	12149	7733					9105*	6908	11.13
1.5 m			15324*	15324*	24316*	18381	18516*	13010	15042*	9694	11823	7429					10179*	6728	11.09
0 m			18296*	18296*	25161*	17641*	19265*	12449	14869	9317	11587	7209					11015	6835	10.83
-1.5 m	14310*	14310*	24193*	24193*	24806*	17353	19236*	12163	14648	9114							11748	7285	10.35
-3.0 m	21443*	21443*	30368*	28713*	23307*	17397	18276*	12134	14492*	9116							13095*	8242	9.61
-4.5 m	29860*	29860*	26112*	26112*	20458*	17735	16031*	12375									13273*	10141	8.54
-6.0 m			19629*	19629*	15512*	15512*											12804*	12804*	6.99

Standard arm. 3.02 m arm length. 2919 kg bucket. 650 mm shoes

7.5 m									12403*	11565							9865*	9865*	9.68
6.0 m							14617*	14617*	12951*	11184							8883*	8292	10.46
4.5 m			29018*	29018*	20332*	20332*	16187*	14580	13786*	10663	12093*	7988					9183*	7479	10.84
3.0 m					23102*	19281	17750*	13640	14667*	10118	12107	7697					9754*	7032	11.01
1.5 m					24819*	18117	18922*	12886	15227	9650	11826	7435					10663*	6886	10.97
0 m			13744*	13744*	25222*	17541	19431*	12406	14874	9326	11646	7268					11293	7040	10.71
-1.5 m			21659*	21659*	24457*	17386	19124*	12203	14722	9187							12111	7557	10.22
-3.0 m	20683*	20683*	28708*	28708*	22555*	17538	17816*	12261	13998*	9277							12787*	8620	9.47
-4.5 m	29345*	29345*	23989*	23989*	19197*	17900	15001*	12618									12470*	10719	8.38
-6.0 m			16694*	16694*	13270*	13270*											11008*	11008*	6.79

Standard arm. 4.11 m arm length. 2652.6 kg bucket. 650 mm shoes

9.0 m																	6735*	6735*	9.58
7.5 m											6459*	6459*					6406*	6406*	10.51
6.0 m											11705*	11631	8909*	8601			6534*	6534*	11.10
4.5 m							14702*	14702*	12702*	11057	10966*	8275					6852*	6852*	11.47
3.0 m			30614*	30614*	21020*	20318	16532*	14189	13788*	10445	12011*	7909					7383*	6476	11.63
1.5 m			18997*	18997*	23705*	18834	18099*	13293	14755*	9885	11963	7564					8189*	6301	11.58
0 m	8177*	8177*	19278*	19278*	25026*	17908	19107*	12641	15008	9449	11673	7292					9399*	6371	11.34
-1.5 m	13567*	13567*	23375*	23375*	25136*	17465	19380*	12260	14714	9178	11508	7139					10875	6731	10.88
-3.0 m	19425*	19425*	29839*	28567	24097*	17383	18783*	12138	14626	9098							12073	7500	10.18
-4.5 m	26394*	26394*	28348*	28348*	21790*	17602	17067*	12271	13271*	9252							12822*	8980	9.18
-6.0 m	29558*	29558*	22699*	22699*	17715*	17715*	13522*	12726									12798*	12084	7.76

Standard arm. 5.00 m arm length. 2434.3 kg bucket. 650 mm shoes

9.0 m											5669*	5669*					5222*	5222*	10.68
7.5 m											7052*	7052*	4659*	4659*					11.61
6.0 m											8144*	8144*	5232*	5232*	4684*	4684*			12.14
4.5 m										11042*	11042*	9516*	8459	6604*	6384	4837*	4837*		12.48
3.0 m			26738*	26738*	19066*	19066*	15122*	14617	12756*	10676	11199*	8035	7658*	6133	5125*	5125*			12.62
1.5 m			24635*	24635*	22101*	19412	16972*	13588	13915*	10031	11908*	7623	8410*	5883	5575*	5333			12.58
0 m	7747*	7747*	19610*	19610*	24118*	18174	18358*	12778	14820*	9496	11665	7274	8441*	5678	6242*	5364			12.36
-1.5 m	11397*	11397*	21250*	21250*	24954*	17460	19081*	12239	14661	9117	11401	7029					7236*	5606	11.94
-3.0 m	15873*	15873*	25644*	25644*	24641*	17162	19016*	11967	14444	8918	11286	6922					8779*	6129	11.31
-4.5 m	21347*	21347*	30916*	28365	23145*	17193	18002*	11946	14262*	8920							11244*	7093	10.42
-6.0 m	28442*	28442*	26497*	29497*	20196*	17533	15669*	12192	11884*	9187							11378*	8898	9.20
-7.5 m	25897*	25897*	19573*	19573*	14995*	14995*											10944*	10944*	7.47

CX700B MASS EXCAVATION LIFTING CAPACITY with 6.58 m ME Boom

Mass Excavation 3.02 m arm length. 4 m³ bucket (3388.3 kg). 650 mm shoes. max reach 9.77 m

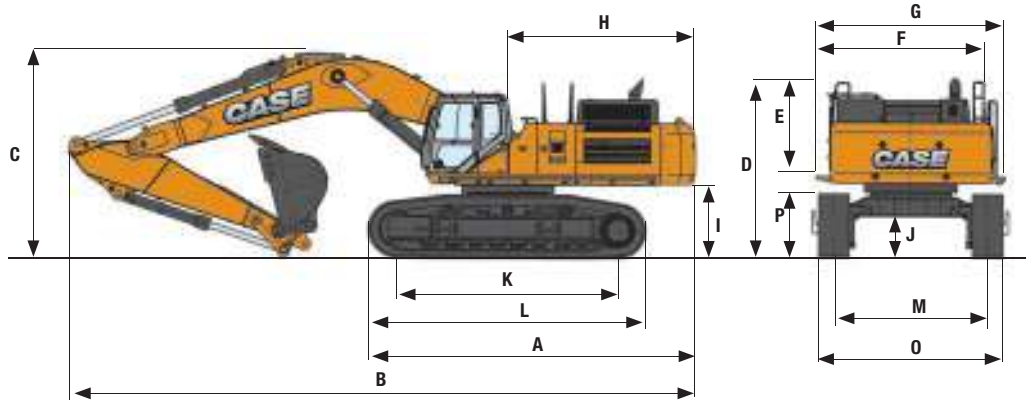
6.0 m							14796*	14796*									11032*	11032*	8.66
4.5 m					19588*	19588*	16397*	15254	12708*	10936							8339*	8339*	9.57
3.0 m			31887*	31887*	22639*	20883	18020*	14436	15305*	10508							9041*	9029	9.76
1.5 m			35187*	31245	25006*	19588	19380*	13702	15729	10102							10193*	8836	9.71
0 m	14012*	14012*	34642*	30230	26074*	18780	20068*	13181	15414	9812							12059*	9100	9.42
-1.5 m	22555	22555	34747*	30010	25627*	18442	19719*	12934									15293*	9960	8.86
-3.0 m	32872*	32872*	31099*	30307	23408*	18517	17747*	13013									16056*	11845	7.98
-4.5 m	32441*	32441*	24637*	24637*	18448*	18448*											15868*	15868*	6.65

* The above loads (kg) are compliant to the ISO standards and refer to the excavator equipped with bucket. The indicated loads are no more than 87% of hydraulic system lift capacity or 75% of static tipping load. Values marked with an asterisk (*) are limited by the hydraulic lifting capacity rather than the tipping load.

B-SERIES CRAWLER EXCAVATORS

CX800B GENERAL DIMENSIONS

With 8.40 m standard boom



DIPPER LENGTH		3.66 m	4.44 m	5.62 m	
A	Overall length (without attachment)	mm	7640	7640	7640
B	Overall length (with attachment)	mm	14360	14320	13830
C	Overall height (with attachment)	mm	4810	5000	6300
D	Overall height (without attachment)	mm	3880	3880	3880
E	Cab height	mm	3570	3570	3570
F	Upper structure overall width (without catwalks)	mm	3470	3470	3470
G	Upper structure overall width (with catwalks)	mm	4250	4250	4250
H	Swing (rear end) radius	mm	4300	4300	4300
I	Clearance height under upper structure	mm	1590	1590	1590
J	Minimum ground clearance	mm	890	890	890
K	Wheel base (Center to center of wheels)	mm	5070	5070	5070
L	Crawler overall length	mm	6360	6360	6360
M	Track gauge (Extended)	mm	3450	3450	3450
	Track gauge (Retracted)	mm	2830	2830	2830
O	Undercarriage overall width (Extended) (with 650 mm shoes)	mm	4360	4360	4360
	Undercarriage overall width (Retracted) (with 650 mm shoes)	mm	3740	3740	3740
P	Crawler tracks height	mm	1500	1500	1500

CX800B PERFORMANCE DATA

With 8.40 m standard boom

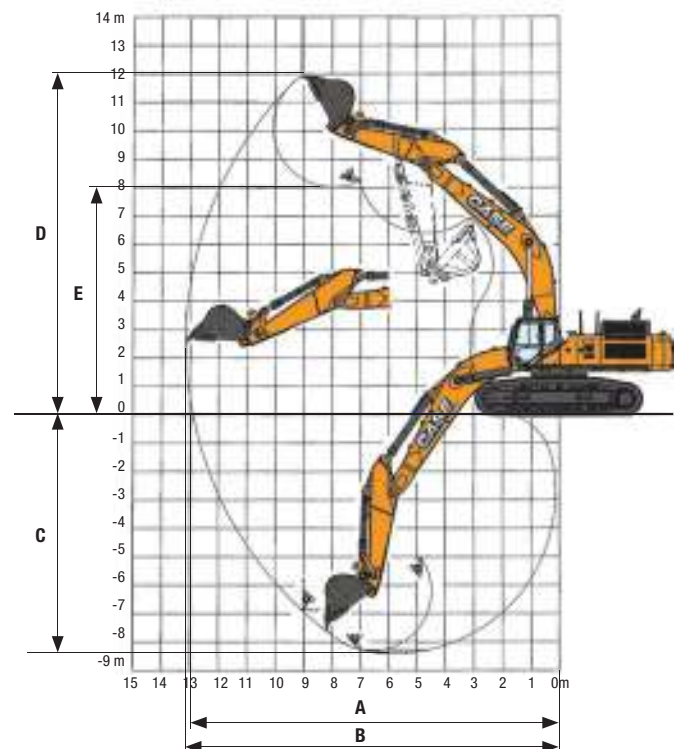
DIPPER LENGTH		3.66 m	4.44 m	5.62 m	
A	Maximum reach at GRP	mm	13840	14680	15860
B	Maximum reach	mm	14120	14940	16110
C	Max. digging depth	mm	8690	9470	10560
D	Max. digging height	mm	12910	13600	14300
E	Max. dumping height	mm	8920	9510	10170
	Arm digging force	kN	274	232	195
	With auto power up	kN	330	330	330
	Bucket digging force	kN	330	330	330
	With auto power up	kN	361	361	361

OPERATING WEIGHT

with 3.66 m Arm , 3.3 m³ Bucket , 650 mm grouser shoes, operator, lubricant, coolant and full fuel tank

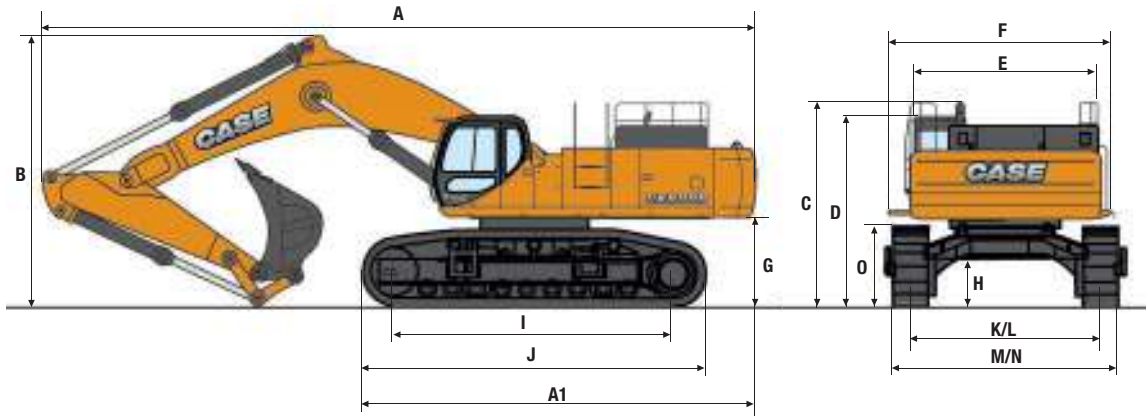
CX700B MASS EXCAVATION	Weight
	80.300 kg

Counterweight 12.500 kg



CX800B MASS EXCAVATION GENERAL DIMENSIONS

With 7.25 Mass Excavation Boom



DIPPER LENGTH		Arm 2.98
A	Overall length (with attachment)	mm 13230
A1	Overall length (without attachment)	mm 7640
B	Overall height (with attachment)	mm 5000
C	Overall height (without attachment)	mm 3880
D	Cab height	mm 3570
E	Upper structure overall width (without catwalks)	mm 3470
F	Upper structure overall width (with catwalks)	mm 4250
	Swing (rear end) radius	mm 4300
G	Clearance height under upper structure	mm 1590
H	Minimum ground clearance	mm 890
I	Wheel base (Center to center of wheels)	mm 5070
J	Crawler overall length	mm 6360
K	Track gauge (Extended)	mm 3450
L	Track gauge (Retracted)	mm 2830
M	Undercarriage overall width (Extended) (with 650 mm shoes)	mm 4360
N	Undercarriage overall width (Retracted) (with 650 mm shoes)	mm 3740
O	Crawler tracks height	mm 1500

CX800B MASS EXCAVATION PERFORMANCE DATA

With 7.25 m Mass Excavation Boom

DIPPER LENGTH		Arm 2.98 m
	Boom length	mm 7250
	Bucket radius	mm 2200
	Bucket wrist action	° 162
A	Maximum reach at GRP	mm 11990
B	Maximum reach	mm 12310
C	Max. digging depth	mm 7030
D	Max. digging height	mm 11760
E	Max. dumping height	mm 7890
	Arm digging force	kN 317
	With auto power up	kN 347
	Bucket digging force	kN 430
	With auto power up	kN 470

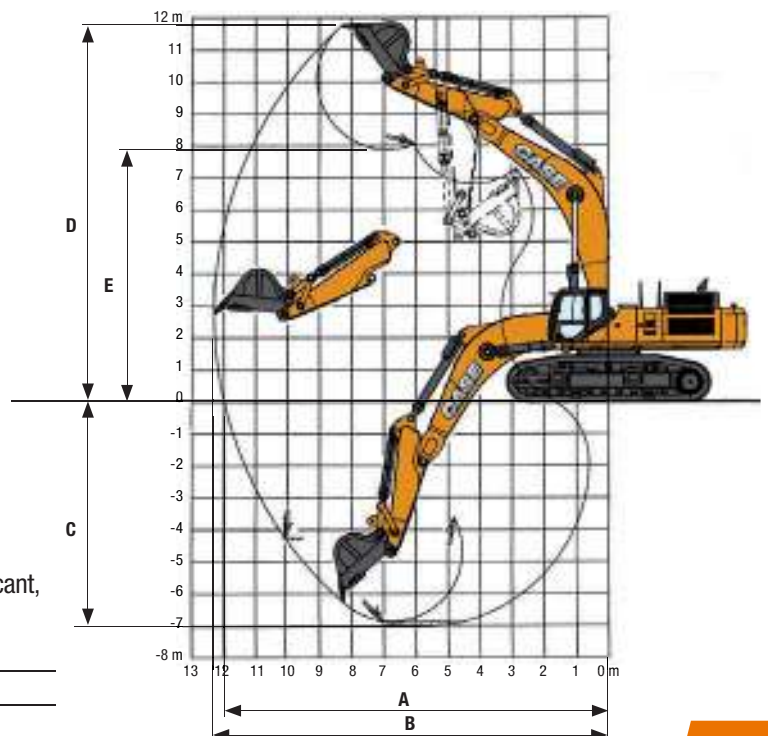
* Mass Excavation - attachment

OPERATING WEIGHT

with 2.98 m arm, 4.1 m³ bucket, 650 mm grouser shoes, operator, lubricant, coolant and full fuel tank

CX800B MASS EXCAVATION	Weight
	80.400 kg

Counterweight 12.500 kg



CX800B LIFTING CAPACITY

		REACH																		
		3.0 m		4.5 m		6.0 m		7.5 m		9.0 m		10.5 m		12.0 m		13.5 m		At max reach		m
Front	Side	[Diagram]		[Diagram]		[Diagram]		[Diagram]		[Diagram]		[Diagram]		[Diagram]		[Diagram]		[Diagram]		

Standard arm. 3.66 arm length. 3.3 m³ (2994.4 kg) bucket. 650 mm shoes. max reach 12.13 m

9.0 m																			7360*	7360*	10.4
7.5 m								12850*	12850*	11290*	11290*								7346*	7346*	11.2
6.0 m								13801*	13801*	12503*	11335								7530*	7530*	11.7
4.5 m			32725*	32725*	22604*	22604*	17776*	17776*	14966*	14183	13168*	10830	7956*	7956*					7908*	7908*	12
3.0 m					25851*	24969	19692*	17794	16140*	13347	13868*	10309	9908*	8090					8510*	7925	12.1
1.5 m			15457*	5457*	27923*	23350	21169*	16708	17110*	12631	14455*	9846	10222*	7820					9406*	7746	12.1
0 m			20263*	20263*	28625*	22508	21967*	15989	17697*	12108	14780*	9497							10734*	7841	11.8
-1.5 m	17914*	17914*	26831*	26831*	28178*	22196	21989*	15618	17750*	11807	14674*	9304							12777*	8259	11.3
-3.0 m	25229*	25229*	34435*	34435*	26711*	22248	21162*	15548	17101*	11737	13858*	9314							13550*	9130	10.7
-4.5 m	33215*	33215*	30442*	30442*	24102*	22609	19285*	15763	15412*	11933									13795*	10766	9.66
-6.0 m			24639*	24639*	19891*	19891*	15787*	15787*											13655*	13655*	8.3

Long arm. 4.44 arm length. 3.0 m³ (2893 kg) bucket. 650 mm shoes. max reach 13.06 m

10.5 m																			4567*	4567*	10.5
9.0 m										8304*	8304*								4323*	4323*	11.5
7.5 m										10495*	10495*	5225*	5225*						4232*	4232*	12.2
6.0 m									12694*	12694*	11585*	11570	8011*	8011*					4265*	4265*	12.7
4.5 m						16423*	16423*	13965*	13965*	12356*	11025	10044*	8515						4412*	4412*	12.9
3.0 m			26410*	26410*	24134*	24134*	18551*	18313	15287*	13625	13181*	10456	11734*	8161					4681*	4681*	13.1
1.5 m			18446*	18446*	26852*	24050	20341*	17087	16457*	12828	13925*	9932	12148*	7829					5099*	5099*	13
0 m	9622*	9622*	19719*	19719*	28281*	22859	21520*	16202	17292*	12206	14452*	9508	12383*	7565					5715*	5715*	12.8
-1.5 m	15066*	15066*	23858*	23858*	28497*	22273	21961*	15668	17649*	11795	14622*	9225	10595*	7411					6627*	6627*	12.3
-3.0 m	20696*	20696*	29696*	29696*	27638*	22114	21595*	15444	17390*	11605	14252*	9112							8030*	7719	11.7
-4.5 m	26995*	26995*	33444*	33444*	25679*	22289	20294*	15501	16299*	11648	12974*	9224							10382*	8849	10.8
-6.0 m	34495*	34495*	28531*	28531*	22342*	22342*	17719*	15853	13856*	11987									12272*	10914	9.6
-7.5 m			21231*	21231*	16872*	16872*	12869*	12869*											11599*	11599*	7.94

S-Long arm. 5.62 arm length. 2.4 m³ (2590.2 kg) bucket. 650 mm shoes. max reach 14.29 m

10.5 m																			3828*	3828*	12	
9.0 m													6375*	6375*					3607*	3607*	12.8	
7.5 m													7740*	7740*					3503*	3503*	13.5	
6.0 m												10130*	10130*	8911*	8911*	5432*	5432*		3492*	3492*	13.9	
4.5 m										12267*	12267*	11012*	11012*	8773	6713*	6713*			3568*	3568*	14.2	
3.0 m			29671*	29671*	20952*	20952*	16459*	16459*	13759*	13759*	11981*	10759	10739*	8343	7620*	6518			3733*	3733*	14.3	
1.5 m			25500*	25500*	24432*	24432*	18635*	17731	15176*	13195	12916*	10134	11336*	7924	8119*	6254			4001*	4001*	14.3	
0 m			20736*	20736*	26827*	23464	20322*	16569	16337*	12406	13694*	9593	11817*	7559	7853*	6030			4395*	4395*	14	
-1.5 m	12661*	12661*	22080*	22080*	28017*	22408	21346*	15765	17096*	11820	14196*	9178	12071*	7283	6044*	5887			4965*	4965*	13.6	
-3.0 m	16883*	16883*	25848*	25848*	28090*	21888	21627*	15299	17337*	11453	14295*	8917	11945*	7130					5796*	5796*	13.1	
-4.5 m	21857*	21857*	31433*	31433*	27092*	21772	21088*	15131	16925*	11310	13811*	8835	10073*	7153					7063*	6918	12.3	
-6.0 m	27874*	27874*	32922*	32922*	24912*	21999	19555*	15245	15618*	11404	12371*	8981							9165*	8144	11.2	
-7.5 m	35591*	35591*	27509*	27509*	21180*	21180*	16606*	15670	12818*	11808									10622*	10362	9.85	
-9.0 m					14947*	14947*	10999*	10999*												9695*	9695*	7.95

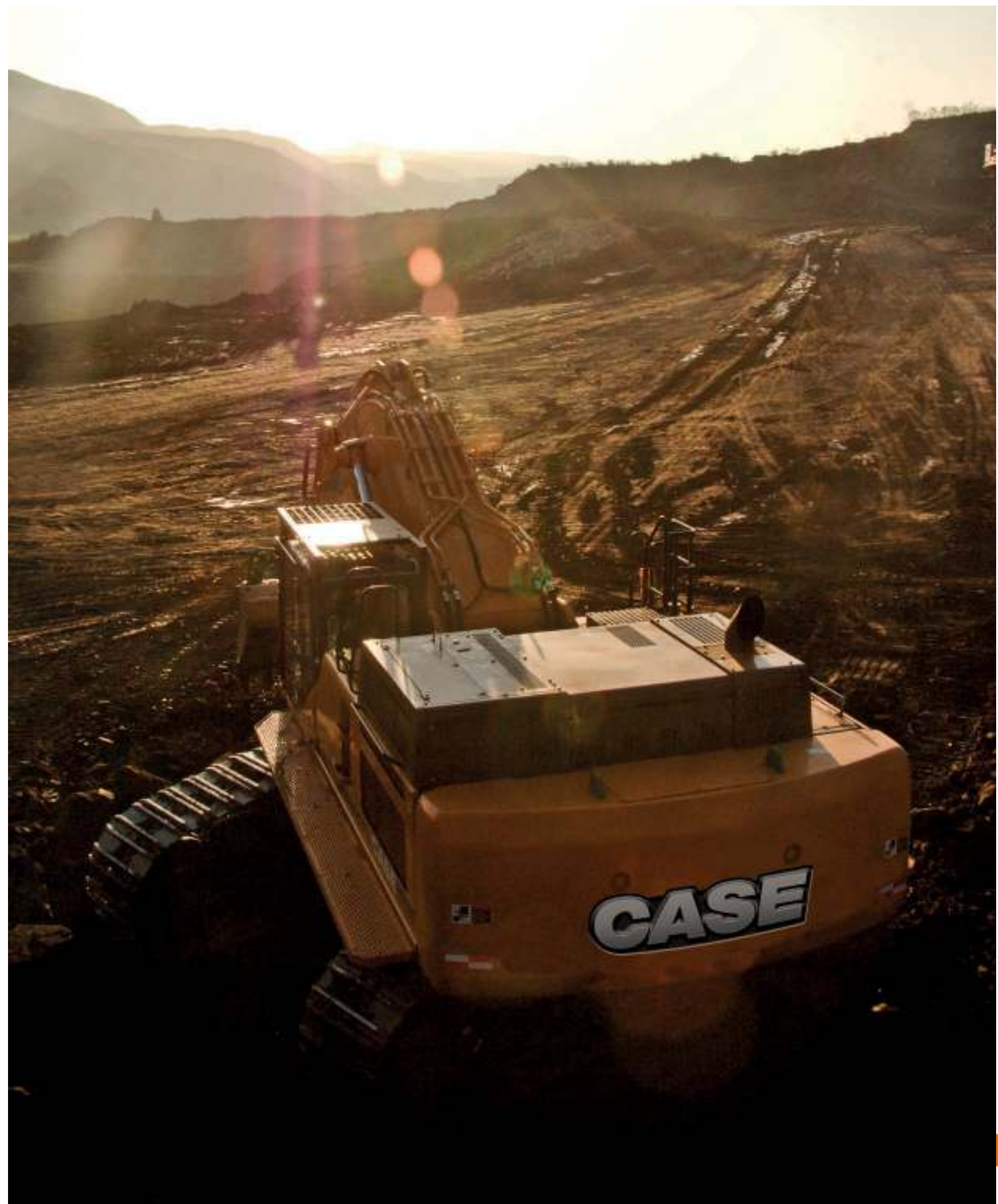
CX800B MASS EXCAVATION LIFTING CAPACITY with 7.25 m ME Boom

Mass Excavation 2.98 m arm length. 4.1 m³ bucket (3420 kg). 650 mm shoes. max reach 10.30 m

9.0 m																			11976*	11976*	8.14
7.5 m										12732*	12732*								11874*	11874*	9.12
6.0 m							17690*	17690*	15848*	14948									12202*	12202*	9.76
4.5 m			32866*	32866*	23907*	23907*	19383*	19383*	16701*	14302									12932*	11502	10.14
3.0 m			37917*	37917*	27009*	26066	21097*	13328	17618*	13613									14144*	10796	10.29
1.5 m			29282*	29281*	29037*	24456	22380*	17335	18309*	13011									15965*	10574	10.22
0 m			33885*	33885*	29571*	23562	22877*	16675	18485*	12591									16396*	10841	9.91
-1.5 m	26331*	26331*	37767*	37767*	28597*	23244	22326*	16376	17786*	12422									16838*	11742	9.35
-3.0 m	37512*	37512*	33497*	33497*	26005*	23387	20350*	16449											17151*	13693	8.49
-4.5 m			26845*	26845*	21166*	21166*													16919*	16919*	7.21

* The above loads (kg) are compliant to the ISO standards and refer to the excavator equipped with bucket. The indicated loads are no more than 87% of hydraulic system lift capacity or 75% of static tipping load. Values marked with an asterisk (*) are limited by the hydraulic lifting capacity rather than the tipping load.

SPECIFICATIONS



www.casece.com
EXPERTS FOR THE REAL WORLD
SINCE 1842

CASE
CONSTRUCTION



Form No. AME5307CCGB - MediaCross Firenze - 02/17

**CASE CONSTRUCTION EQUIPMENT
CONTACT INFORMATION**

CNH INDUSTRIAL - TORINO
Via Plava 80
10135 Torino
Italy

CNH INTERNATIONAL S.A. - LUGANO
Riva Paradiso 14
6902 Paradiso - Lugano
Switzerland

CNH INDUSTRIAL - MIDDLE EAST
DAFZA - Dubai Airport Free Zone
West Wing 4 B, Office 642
P.O. Box 54588, Dubai,
United Arab Emirates

CNH INDUSTRIAL - SOUTH AFRICA
Waterfall Business Park
Bekker Street, Howick Close
1685 Midrand - Johannesburg
Republic of South Africa

NOTE: Standard and optional fittings can vary according to the demands and specific regulations of each country. The illustrations may include optional rather than standard fittings - consult your Case dealer. Furthermore, CNH Industrial reserves the right to modify machine specifications without incurring any obligation relating to such changes.

Conforms to directive 2006/42/EC

